

CEILING MOUNT FIRE DOME SPEAKER

PC-1867F PC-1867FC

Please follow the instructions in this manual to obtain the optimum results from this unit.
We also recommend that you keep this manual handy for future reference.

1. SAFETY PRECAUTIONS

- Be sure to read the instructions in this section carefully before use.
- Make sure to observe the instructions in this manual as the conventions of safety symbols and messages regarded as very important precautions are included.
- We also recommend you keep this instruction manual handy for future reference.
- Tighten each nut and bolt securely. Ensure that the bracket has no loose joints after installation to prevent accidents that could result in personal injury.
- Avoid mounting the unit in locations exposed to constant vibration. The mounting bracket can be damaged by excessive vibration, potentially causing the speaker to fall, which could result in personal injury.

WARNING

Indicates a potentially hazardous situation which, if mishandled, could result in death or serious personal injury.

- Use only the specified amplifier output voltage and impedance, as exceeding the specified limits could result in fire or other failures (high-impedance applications).
- To avoid accidental air explosions, do not use the unit around gasoline, thinner or other combustibles.
- Install the unit only in a location that can structurally support the weight of the unit and the mounting bracket. Doing otherwise may result in the unit falling down and causing personal injury and/or property damage.
- Do not use other methods than specified to mount the unit. Extreme force is applied to the unit and the unit could fall off, possibly resulting in personal injuries.

CAUTION

Indicates a potentially hazardous situation which, if mishandled, could result in moderate or minor personal injury, and/or property damage.

- To avoid electric shocks, be sure to switch off the amplifier power when connecting the speaker.
- Avoid installing the unit in humid or dusty locations, or in locations exposed to heaters, solvents, acid, alkali, smoke, or steam, as excessive exposure to these factors could result in the speaker falling off, electric shock or fire.
- Do not operate the unit for an extended period of time with the sound distorting. This is an indication of a malfunction, which in turn can cause heat to generate and result in a fire.
- Have the unit periodically checked by the shop from where it was purchased. Failure to do so could result in the speaker falling off due to damage or corrosion to the speaker or its mounts, and possible personal injury.

2. GENERAL DESCRIPTION (Patent pending)

TOA's PC-1867F and PC-1867FC Ceiling Mount Fire Dome Speakers feature an iron-made dome that prevents the fire from spreading in the ceiling in case of fire.

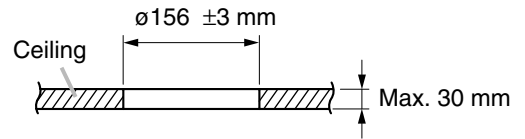
The speaker can be easily installed using the speaker mounting spring, and the dome can also be easily mounted in the speaker mounting hole in the ceiling panel.

The PC-1867F comes with a push-in connector that permits one-touch cable connection as well as bridging and branch wiring, while the PC-1867FC is provided with a ceramic terminal block of screw type.

The PC-1867FC complies with the British Standard 5839.

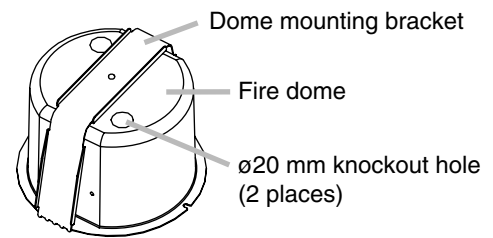
3. INSTALLATION

Step 1. Using the supplied paper pattern as a guide, open a 156 mm ±3 mm mounting hole in the ceiling panel.



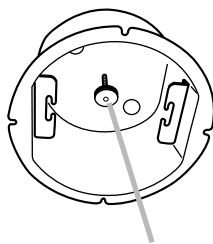
Step 2. Punch out the knockout hole in the fire dome, then install the supplied cable entry rubber grommet in the knockout hole.

Note: The grommet's cable entry hole is covered with a thin membrane. Cut a hole in the membrane to match the size of the speaker cable used.



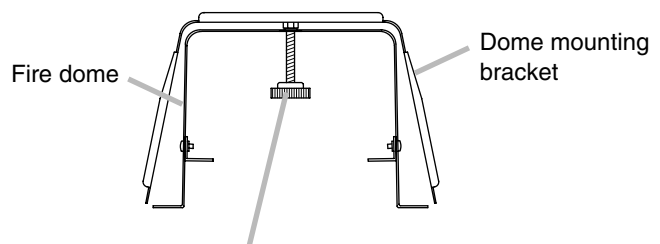
Step 3. Loosen the dome mounting thumbnut.

[Interior View]



Dome mounting thumbnut

[Cross-Section View]

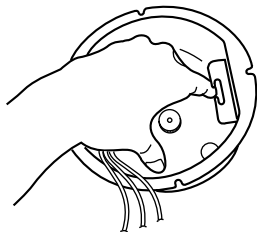


Important

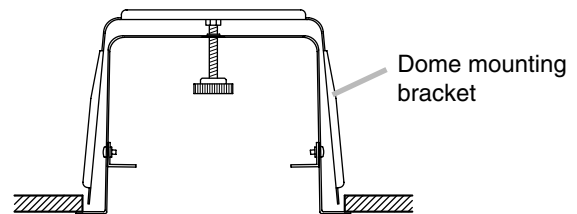
Unscrew the dome mounting thumbnut until it reaches the end of the screw shaft.

Step 4. Feed the speaker cable through the rubber grommet into the dome interior.

Step 5. Press the fire dome assembly into the previously prepared hole in the ceiling.



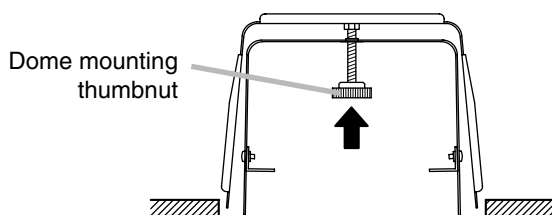
Press on the dome's interior.



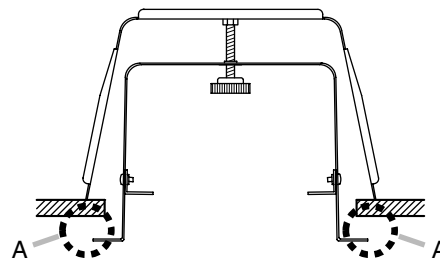
Caution

Since the dome mounting bracket is not placed on the ceiling panel at this stage, as shown in the above figure, the dome could fall if released, so continue to provide manual support.

Step 6. Push in the dome mounting thumbnut.

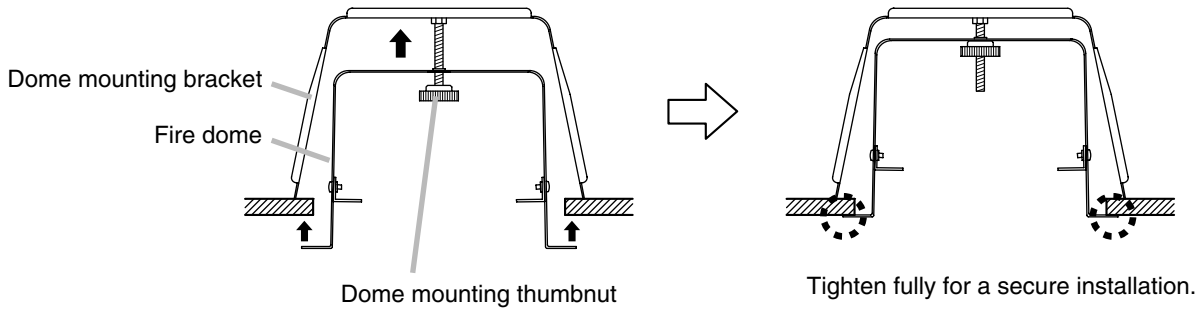


Firmly push the thumbnut and screw shaft in the direction indicated by the arrow.



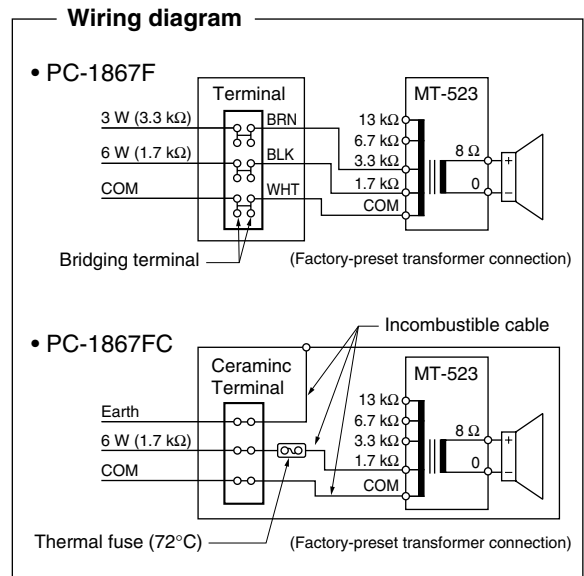
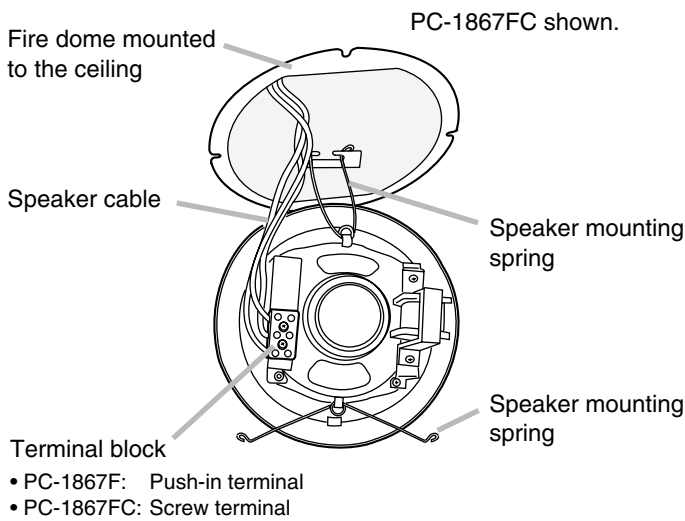
The legs of the dome mounting bracket will pop open and settle on the back surface of the ceiling panel, providing the dome with partial support. If released, a gap behind the collar of the dome will result (A).

Step 7. Turn the dome mounting thumbnut clockwise to tighten and firmly secure the dome to the ceiling panel.

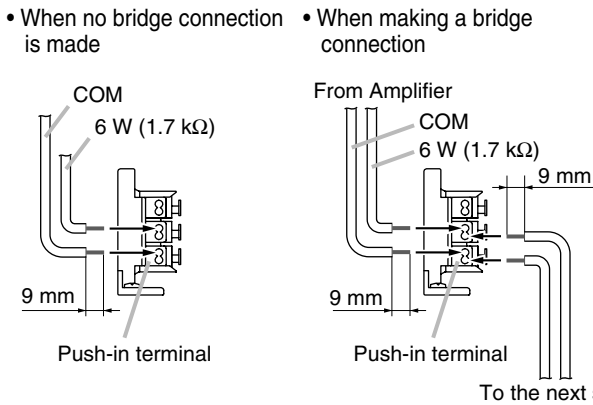


Step 8. Connect the speaker cable.
Wire the speaker according to the terminal indication.

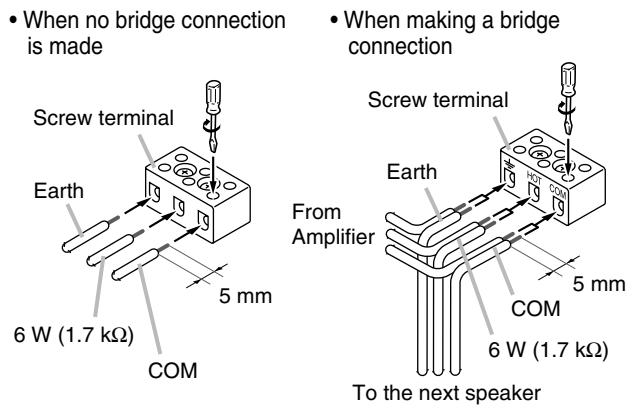
Note: Hook the two ends of one of the speaker mounting springs into the hooks in the fire dome during connection.



[PC-1867F terminal block (1.7 kΩ use)]



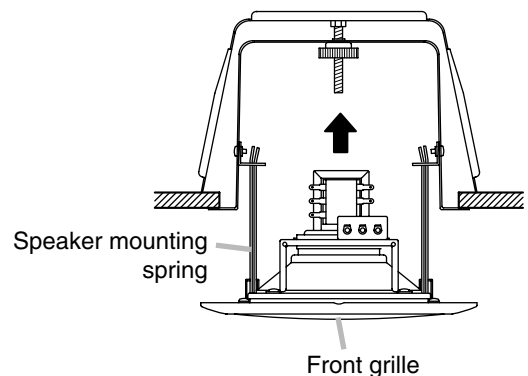
[PC-1867FC terminal block (1.7 kΩ use)]



Step 9. Hook the remaining speaker mounting spring into its corresponding hook in the dome, then push the speaker up into the fire dome.

Caution
Do not press directly on the front grille, as the grille could become dented or damaged.

Note
See to it that the speaker cable is not pinched between the fire dome and the front grille.



4. SPECIFICATIONS

Rated Input	6 W (for 100 V Line), 3 W (for 70 V Line)
Rated Impedance	[PC-1867F] 100 V line: 1.7 kΩ (6 W), 3.3 kΩ (3 W) (6.7 kΩ (1.5 W), 13 kΩ (0.8 W): Internal wiring must be changed) 70 V line: 1.7 kΩ (3 W), 3.3 kΩ (1.5 W) (6.7 kΩ (0.8 W), 13 kΩ (0.4 W): Internal wiring must be changed)
	[FC-1867FC] 100 V line: 1.7 kΩ (6 W) (3.3 kΩ (3 W), 6.7 kΩ (1.5 W), 13 kΩ (0.8 W): Internal wiring must be changed) 70 V line: 1.7 kΩ (3 W) (3.3 kΩ (1.5 W), 6.7 kΩ (0.8 W), 13 kΩ (0.4 W): Internal wiring must be changed)
Sound Pressure Level	90 dB (1W, 1 m), 330 – 3,300 Hz Pink noise
Frequency Response	100 – 16,000 Hz (without fire dome)
Speaker Component	12 cm cone-type
Standard (PC-1867FC only)	In compliance with the British Standard BS 5839-8:1998 [10.3 Protection of Loudspeakers]
Dimensions for Fixing Hole	∅156 ±3 (mounting hole) x 30 (maximum ceiling thickness) mm
Speaker Mounting Method	Spring catch
Applicable Cable	[PC-1867F] 600 V Vinyl-insulated cable (IV wire or HIV wire) Solid copper wire: ∅0.8 – ∅1.2 mm 7-core twisted copper wire: 0.75 – 1.25 mm ²
	[FC-1867FC] 600 V Vinyl-insulated cable (IV wire or HIV wire) Solid copper wire: 1 x max. ∅3.0 mm or 2 x max. ∅1.5 mm
Connection	[PC-1867F] Push-in connector (Bringing terminal-2 branch type)
	[PC-1867FC] Screw connector (Ceramic terminal)
Finish	Baffle: Aluminum, off-white (RAL 9010 or equivalent color), paint Grille: Aluminum net, off-white (RAL 9010 or equivalent color), paint Dome mounting bracket: Steel plate, bichromate plating Fire dome: Steel plate, black painting
Dimensions	∅180 x 11 (exposed section) + 110 (d) mm
Weight	[PC-1867F] (bracket, fire dome included)
	[PC-1867FC] (bracket, fire dome included)

Note: The design and specifications are subject to change without notice for improvement.

• Accessories

Rubber grommet	2
Paper pattern	1