



Scan for full manual

VP-428H2 Quick Start Guide

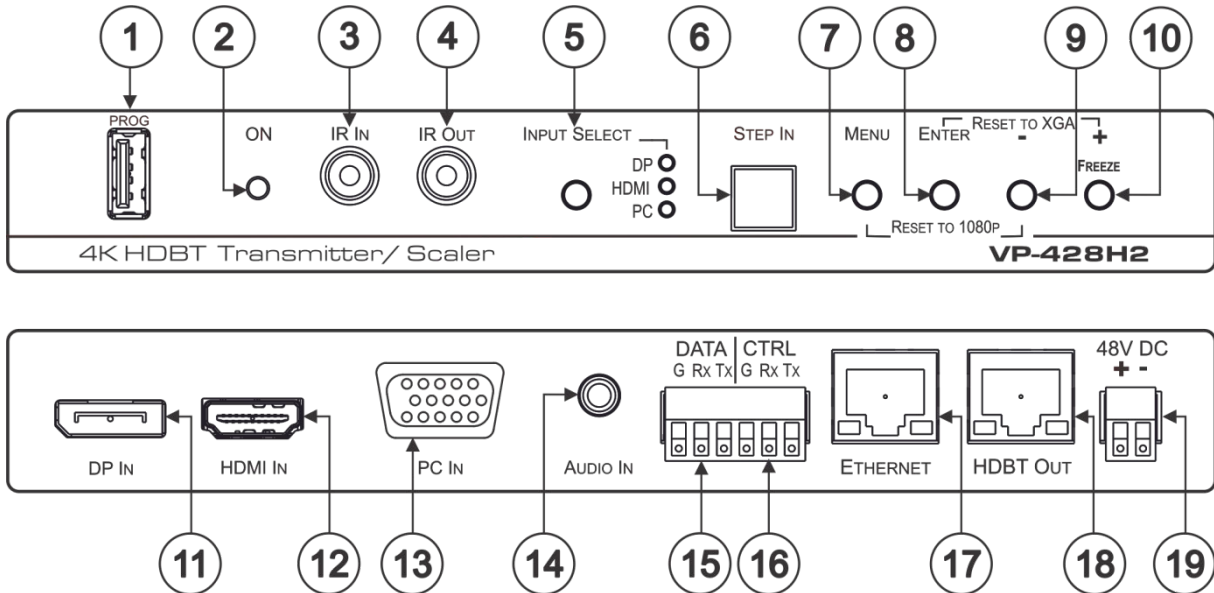
This guide helps you install and use your **VP-428H2** for the first time.

Go to www.kramerav.com/downloads/VP-428H2 to download the latest user manual and check if firmware upgrades are available.

Step 1: Check what's in the box

- ✓ **VP-428H2** 4K HDBT Transmitter/Scaler
- ✓ 1 Bracket set
- ✓ 1 Quick start guide
- ✓ 1 Power adapter and cord
- ✓ 4 Rubber feet

Step 2: Get to know your VP-428H2



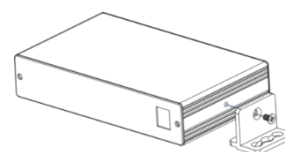
| # | Feature | Function |
|----|-----------------------------|---|
| 1 | PROG USB Connector | Connects to a USB memory stick for programming upgrade. |
| 2 | ON LED | Lights green when the unit is powered on. |
| 3 | IR IN 3.5mm Mini Jack | Connects to an IR sensor. |
| 4 | IR OUT 3.5mm Mini Jack | Connects to an IR emitter. |
| 5 | INPUT SELECT Button | Press to cycle between inputs. |
| | INPUT SELECT LEDs | The selected input lights. |
| 6 | STEP-IN Button | Press to activate the input on the switcher to which the VP-428H2 is connected. |
| 7 | MENU Button | Press to enter/exit the on-screen display (OSD) menu. Press together with the - button to reset to 1080p. |
| 8 | ENTER Button | In OSD, press to choose the highlighted menu item. Press together with the + / FREEZE button to reset to XGA. |
| 9 | - | In OSD, press to move back through the list or to decrement the parameter value. |
| 10 | + / FREEZE Button | In OSD, press to move forward through the list or to increment the parameter value. When not in OSD, press to freeze the display. |
| 11 | DP IN DisplayPort Connector | Connect to a DisplayPort source. |
| 12 | HDMI IN Connector | Connect to an HDMI source. |
| 13 | PC IN 15-pin HD Connector | Connect to a computer graphics source. |

| # | Feature | Function |
|----|---|---|
| 14 | AUDIO IN 3.5mm Mini Jack | Connects to an unbalanced stereo audio source. |
| 15 | DATA (G, Rx, Tx)Terminal Block Connectors | Connect to a source for tunneling control commands via HDBaseT. |
| 16 | CTRL (G, Rx, Tx)Terminal Block Connectors | Connect to the PC or the remote controller to control VP-428H2 . |
| 17 | ETHERNET RJ-45 Connector | Connect to a PC via a LAN to tunnel Ethernet data via HDBT. |
| 18 | HDBT OUT RJ-45 Connector | Connect to an HDBaseT receiver. |
| 19 | 48V DC Power Terminal Block Connector | Connect to the Kramer power adapter. |

Step 3: Install the VP-428H2

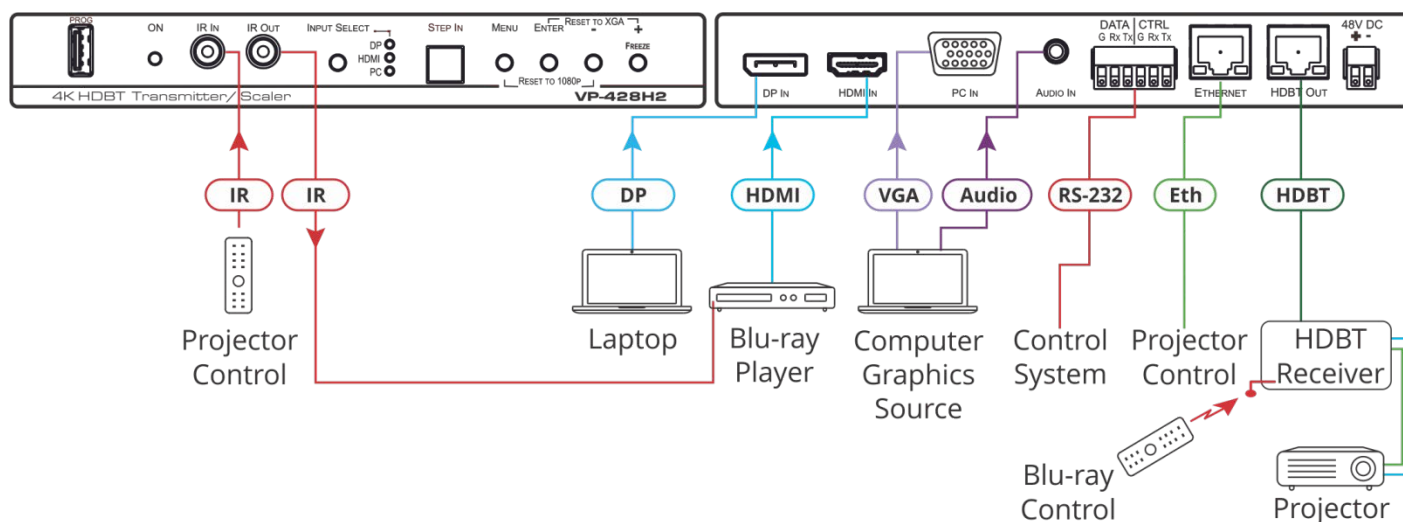
Install **VP-428H2** using one of the following methods:

- Attach the rubber feet and place the unit on a flat surface.
- Fasten a bracket (included) on each side of the unit and attach it to a flat surface. For more information go to www.kramerav.com/downloads/VP-428H2.
- Mount the unit in a rack using an optional **RK-T2B** rack adapter.
- Maximum mounting height for the device is 2 meters.



Step 4: Connect the inputs and outputs

Always switch OFF the power on each device before connecting it to your **VP-428H2**. For best results, we recommend that you always use Kramer high-performance cables to connect AV equipment to the **VP-428H2**.



Step 5: Connect the power

Connect the 48V DC power adapter to the **VP-428H2** and plug the adapter into the mains.

Safety Instructions



- Caution:** There are no operator serviceable parts inside the unit.
- Warning:** Use only the Kramer Electronics power supply that is provided with the unit.
- Warning:** Disconnect the power and unplug the unit from the wall before installing. See www.KramerAV.com for updated safety information.