

PL 50EN

CEILING SPEAKER WITH FIRE DOME



DESCRIPTION

The PL 50EN is a ceiling speaker featuring a flameproof steel fire dome designed for recess installation in false ceilings or panels. It is especially suitable for broadcasting alarm messages thanks to highly intelligible sound reproduction and is resistant to the high temperatures reached during fires. The terminal connection boards are in ceramic material for input and output flameproof cables. A thermal fuse, protects the integrity of the line in case of heat affecting the speaker. Ground screw. Cables inside speaker made using flameproof leads.

MAIN APPLICATIONS

- Voice evacuation system
- Schools
- Shopping malls
- Hospital
- Museums
- Hotels
- Office building

MAIN FEATURES

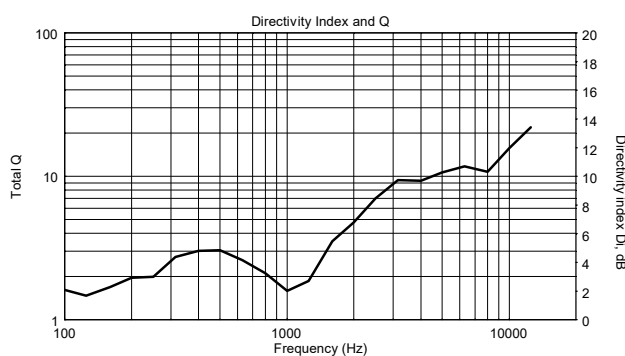
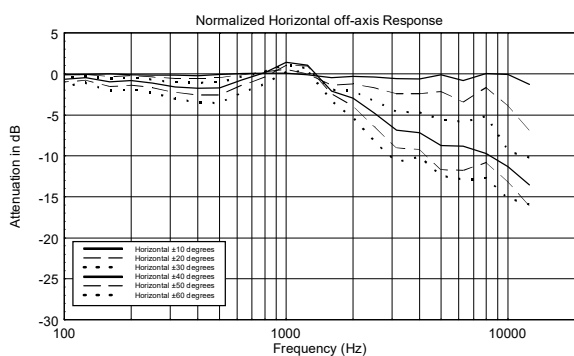
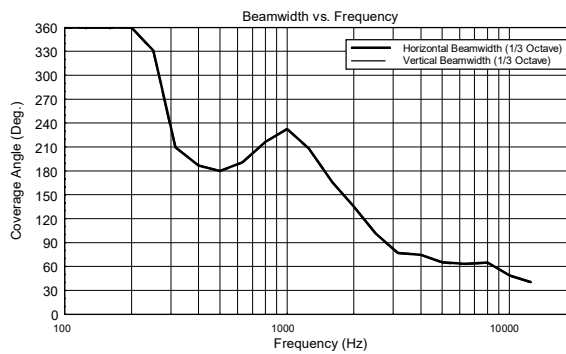
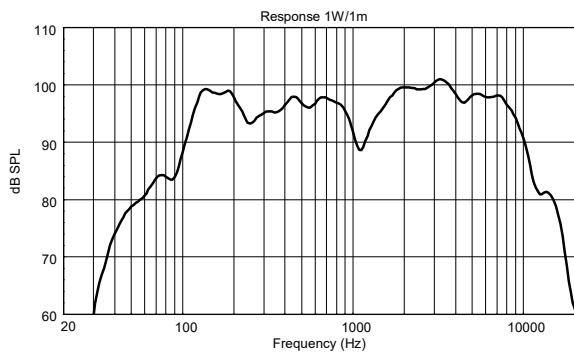
- Speaker for transmitting alarm voice messages with high intelligibility and background music
- Power (selectable) at 100V: 6 W – 3 W – 1.5 W – 0,75W.
- 5" diameter wide band loudspeaker.
- Steel protection Fire Dome, terminal strip in ceramic material for connecting flameproof input and output cables, thermal fuse, suitable internal wiring.
- Colour white RAL 9016.

SPECIFICATIONS

| | |
|--------------------------|---|
| Input voltage | 100 V – (70 V) |
| Power | 6 W – 3 W – 1.5 – 0.75 W |
| Input impedance | 1.67 k Ω (6 W) – 3.33 k Ω (3 W) – 6.67 k Ω (1.5 W) – 13.34 k Ω (0.75 W) |
| Frequency response | 130 Hz ÷ 15 kHz (–10 dB) |
| Sensitivity | 92 dB (1 W, 1 m) |
| Max sound pressure level | 100 dB (6 W, 1 m) |
| Transducer | 5" |
| Material | Steel |
| Colour | Body and grille: white RAL 9016 Dome: red |
| Connector | Ceramic terminal |
| IP protection grade | IP 40 |
| Dimensions | ø 181 mm (7.3"), H: 136 mm (5.3") |
| Net weight | 1,45 kg (3.2 lb) |
| Notes | False ceiling cutout size: ø 164 mm (6.45) |



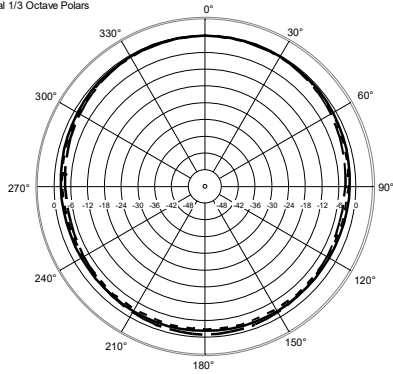
PL 50EN



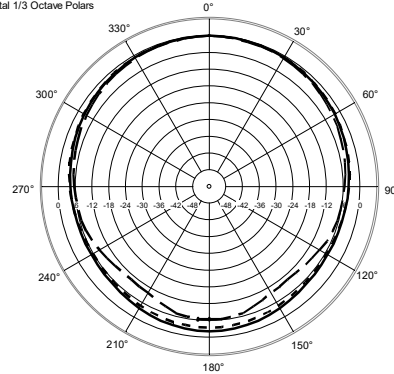
PL 50EN

HORIZONTAL 1/3 POLAR PLOT

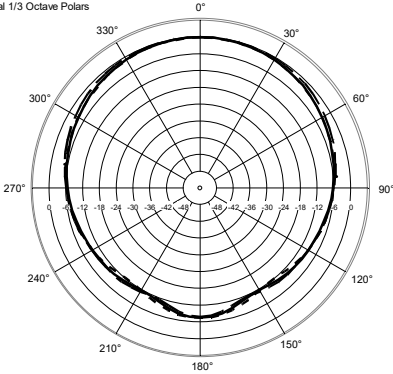
Horizontal 1/3 Octave Polars



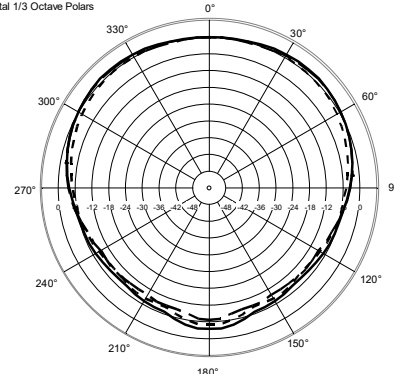
Horizontal 1/3 Octave Polars



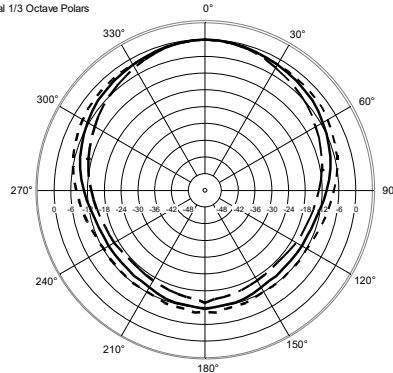
Horizontal 1/3 Octave Polars



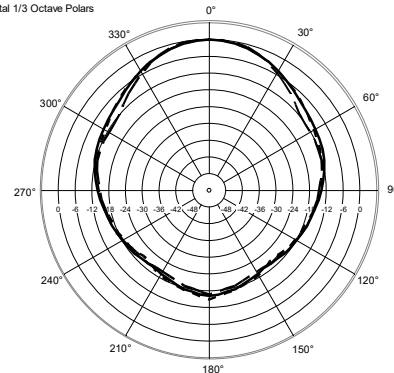
Horizontal 1/3 Octave Polars



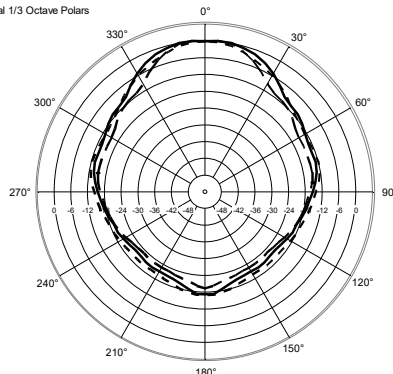
Horizontal 1/3 Octave Polars



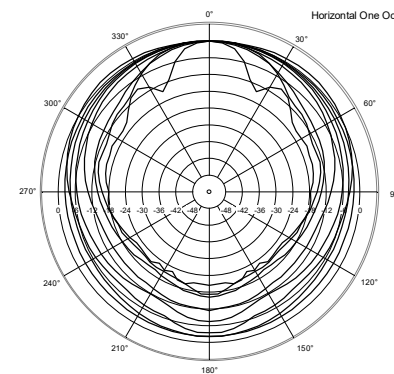
Horizontal 1/3 Octave Polars



Horizontal 1/3 Octave Polars



Horizontal One Octave Polars

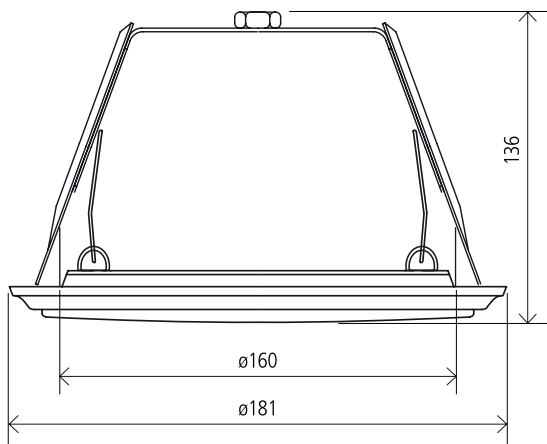


PL 50EN

PART NUMBERS

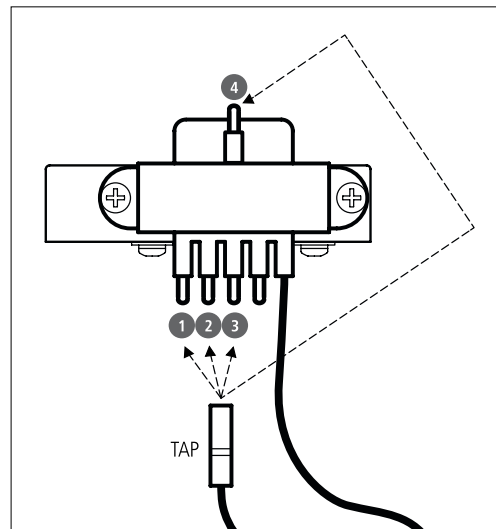
13100007

DIMENSIONS (All data are in mm)

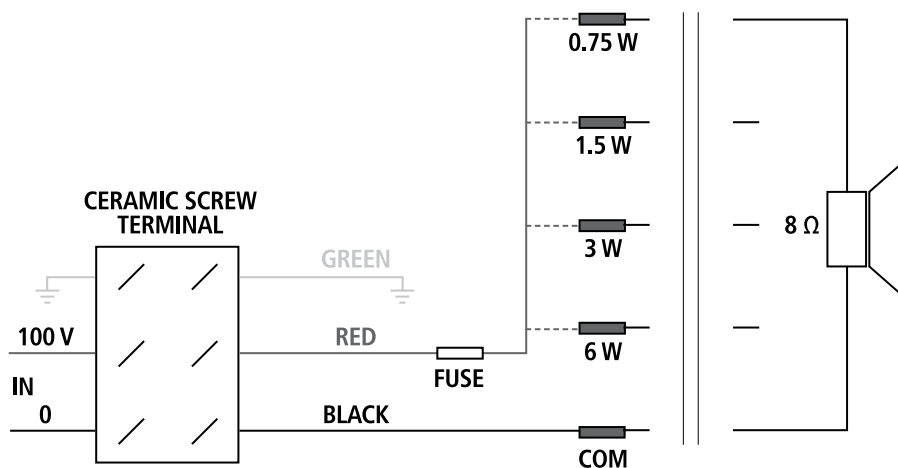


POWER SELECTION

Select the power value among 6 / 3 / 1.5 / 0.75 W (at 100V) on the loudspeaker transformer by linking the red wire to the proper terminal. If the line is 70 V, the power will be halved. Connect the black wire to the transformer COM terminal.



SCHEMATICS



INSTALLATION NOTES

The PL 50EN is designed for flush-mount installation in false ceilings. Before installing the loudspeaker, make sure there is sufficient space behind the false ceiling panel to hold the speaker: with respect to the support surface of the front flange of the loudspeaker, a free space 150 mm deep is necessary.

CERTIFICATIONS AND APPROVALS

EN 54-24:2008. Fire detection and fire alarm systems. Part 24: Components of voice alarm systems - Loudspeakers.

Certificate: 0068-CPR-051/2017



www.rcf.it