

WMR 50T

TWO-WAY WALL MOUNT MONITOR SPEAKER

DESCRIPTION

WMR 50T is a multipurpose two-way wall-mounted speaker, suitable for a wide range of applications. Thanks to its elegant and discreet design and accurate details, WMR 50T pairs any building's aesthetic.

The high-quality transducers guarantee a precise music reproduction of the entire frequency band and provide impressive sound pressure levels for such a compact enclosure. The installation is easy thanks to the dedicated connection board inside the (included) wall mount support, which allows the installer to set the desired tilt first, fix the speaker, and finally quickly connect it without the need for any tooling.



FEATURES

- 40W RMS power handling
- 110 dB max SPL
- 80 ÷ 20000 Hz frequency range
- 140° x 100° constant directivity coverage angle
- 5" high power woofer
- 1" neodymium dome tweeter
- Self-extinguishing plastic cabinet and steel front grille
- Connection board integrated into the wall support
- 4 pole EUROBLOCK connector (audio input and parallel link output)
- 5 different power levels selectable

TECHNICAL SPECIFICATIONS

Acoustical specifications	Frequency Response (-10dB):	80 Hz ÷ 20000 Hz
	Max SPL @ 1m:	110 dB
	Horizontal coverage angle:	140°
	Vertical coverage angle:	100°
	System Sensitivity:	88 dB
Power section	Nominal Impedance:	8 ohm
	Power Handling:	40 W RMS
	Peak Power Handling:	160 W PEAK
	Recommended Amplifier:	80 W
	Crossover Frequencies:	2500
Transducers	Dome Tweeter:	1.0" neo, 1.0" v.c
	Woofers:	5.0", 1.0" v.c
Input/Output section	Input connectors:	Euroblock
	Output connectors:	Euroblock
	Constant Voltage Transformer:	70/100 V
	Power selection 1:	40 W - 250 ohm
	Power selection 2:	20 W - 500 ohm
	Power selection 3:	10 W - 1000 ohm
	Power selection 4:	5 W - 2000 ohm
Power selection 5:	2.5 W - 4000 ohm	
Standard compliance	CE marking:	Yes
Physical specifications	Cabinet/Case Material:	ABS
	Hardware:	Wall mount bracket
	Grille:	Steel
	Color:	Black - RAL 9005
Size	Height:	349 mm / 13.74 inches
	Width:	170 mm / 6.69 inches
	Depth:	253 mm / 9.96 inches
	Weight:	4.6 kg / 10.14 lbs
Shipping informations	Package Height:	278 mm / 10.94 inches
	Package Width:	418 mm / 16.46 inches
	Package Depth:	308 mm / 12.13 inches
	Package Weight:	6.1 kg / 13.45 lbs



PART NUMBER

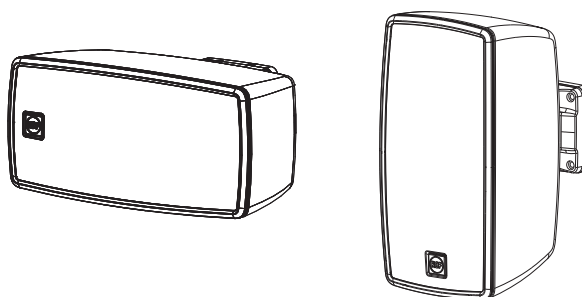
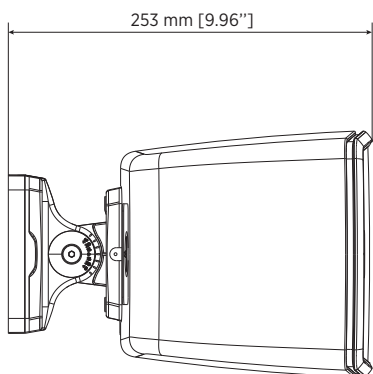
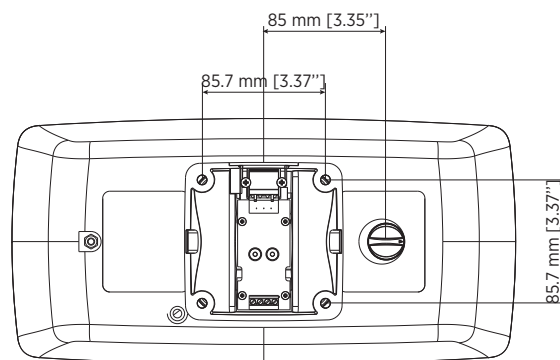
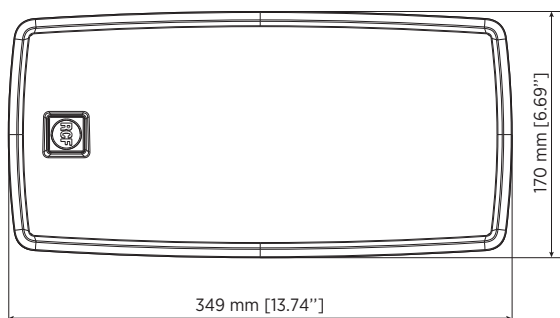
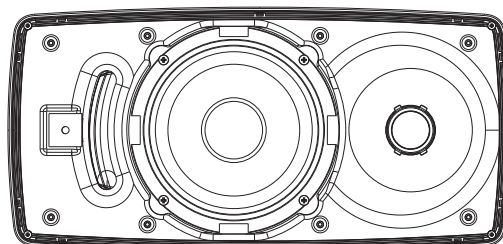
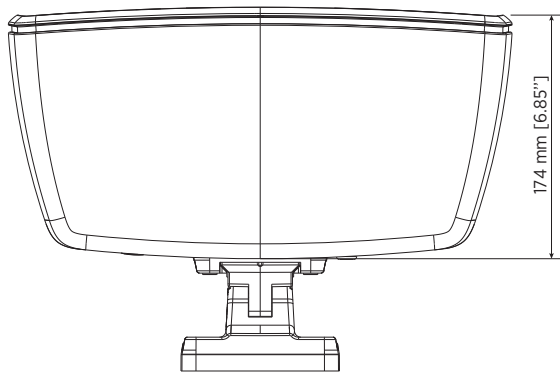
- **13100051**

WMR 50T

Black - RAL 9005

EAN 8024530017460

DRAWINGS





A&E SPECIFICATIONS

The product shall be a multipurpose two-way speaker for wall mounting, providing a balanced sound in near-field applications to get the best intelligibility.

The high quality of its transducers guarantees faithful and precise musical reproduction throughout the entire audio spectrum and allows to reach truly remarkable sound pressure levels for such a compact product.

Its design shall be elegant and compact with accurate finishing, suitable for almost any environment, even with architectural constraints.

It shall be equipped with a 5" woofer and a neodymium 1" dome tweeter and include an internal transformer that allows the connection to 70 / 100 V constant voltage lines.

Installation shall be simple and safe thanks to the terminals on the electronic board integrated in the included wall support, which will allow the installer to proceed first with the wiring and then with the fixing of the speaker on the support, without needing special tools.