

S 8018 II

HIGH-EFFICIENCY SUBWOOFER

DESCRIPTION

The S8018 II high-efficiency subwoofer is the ideal low-frequency extension to complement RCF installed systems.

The low-frequency transducer is a hyperventilated vented, high excursion RCF Precision 18" woofer with a 4" inside/outside voice coil to minimize power compression and extend the life of the product.

Using bass-reflex loading the subwoofer design ensures an efficient acoustic response down to 30 Hz. The Baltic birch plywood enclosure is painted with black, heavy duty, textured epoxy. The front is protected by a strong powder coated metal grille. The cabinet features two Neutrik Speakon™ connectors in a recessed input plate. A M20 pole mount adaptor is provided on the top of the cabinet, integrated hand carry points on the cabinet sides.



FEATURES

- 18" high-efficiency 4" voice-coil woofer with Inside/Outside Coil Technology
- 137 dB maximum sound pressure level
- Response down to 30 Hz
- Rectangular box enclosure with protective metal grille
- 35 mm standard pole mount in top section of cabinet
- Baltic Birch cabinet painted with black, heavy duty, textured epoxy
- Integrated hand carry points

TECHNICAL SPECIFICATIONS

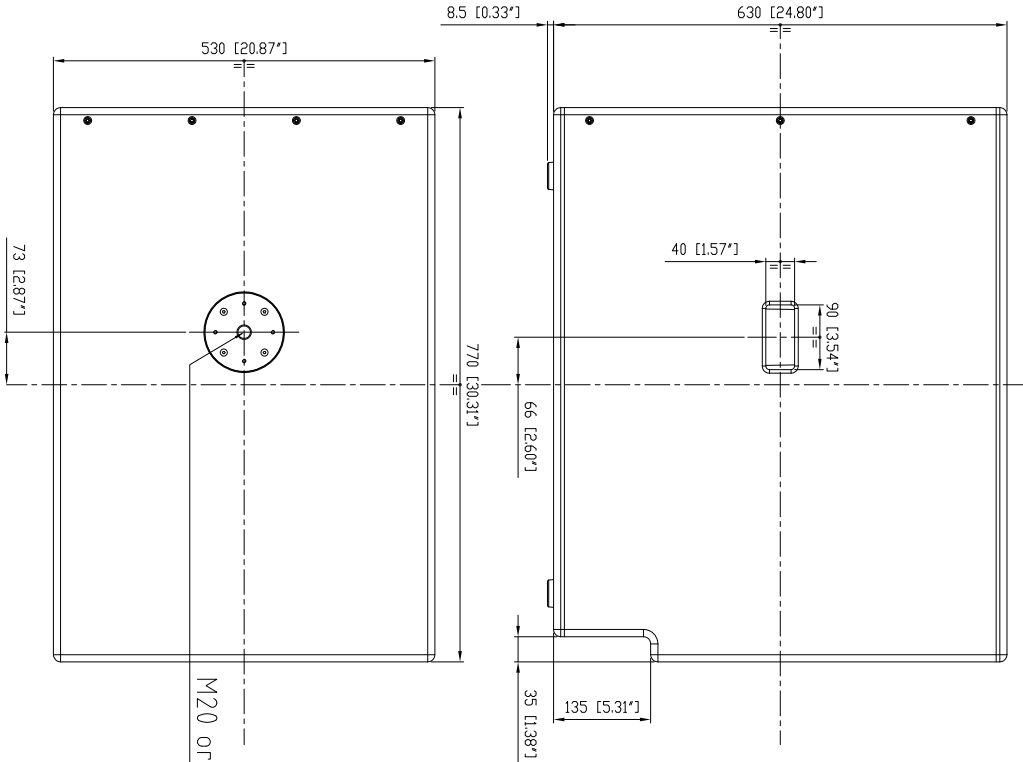
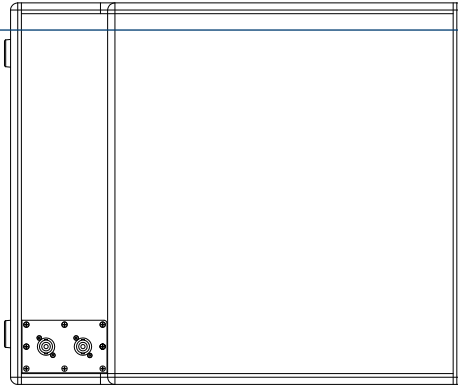
Acoustical specifications	Frequency Response (-10dB):	30 Hz ÷ 200 Hz
	Max SPL @ 1m:	137 dB
	System Sensitivity:	100 dB
Power section	Nominal Impedance:	8 ohm
	Power Handling:	1500 W RMS
	Peak Power Handling:	6000 W PEAK
	Recommended Amplifier:	3000 W
Transducers	Woofers:	18" neo, 4.0" v.c
	Nominal Impedance:	8 ohm
	Input Power Rating:	1500 W AES, 3000 W PROGRAM POWER
	Sensitivity:	100 dB, 1W @ 1m
Input/Output section	Input connectors:	Speakon® NL4
	Output connectors:	Speakon® NL4
Standard compliance	CE marking:	Yes
Physical specifications	Cabinet/Case Material:	Baltic birch plywood
	Handles:	Integrated hand carry points
	Pole mount/Cap:	Yes
	Grille:	Metal
Size	Height:	639 mm / 25.16 inches
	Width:	530 mm / 20.87 inches
	Depth:	770 mm / 30.31 inches
	Weight:	43 kg / 94.8 lbs
Shipping informations	Package Height:	675 mm / 26.57 inches
	Package Width:	805 mm / 31.69 inches
	Package Depth:	565 mm / 22.24 inches
	Package Weight:	48 kg / 105.82 lbs

PART NUMBER

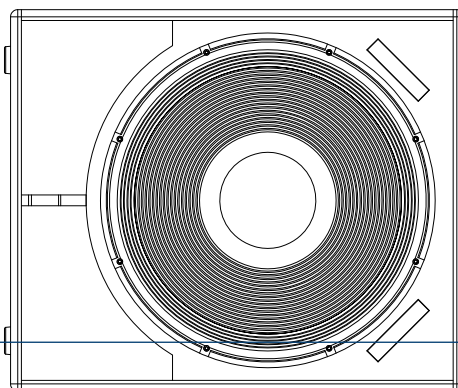
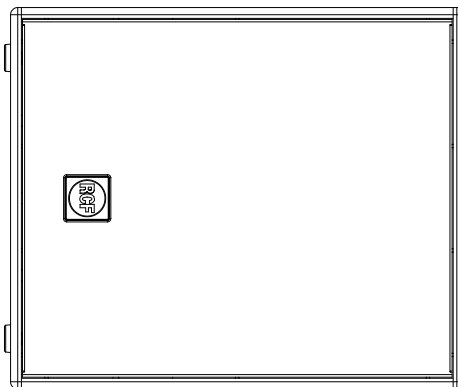
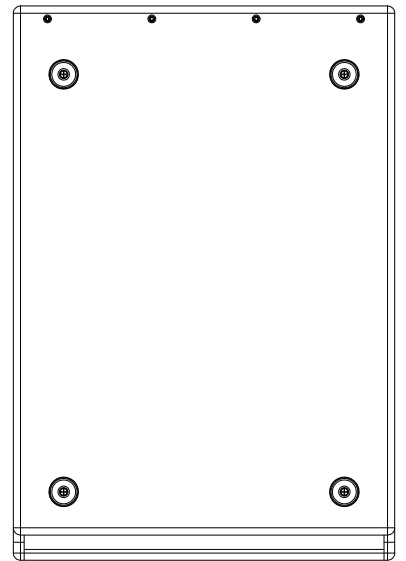
- **13000390**

S 8018 II

EAN 8024530010775



M20 or pole mount seat (supplied)



S8018 II

