

HL 6

LINE ARRAY MODULE

DESCRIPTION

HL 6 is two-way full range system, ideal when line array performance is needed, and a fast and easy set-up is a must. The concept of this speaker derives from the touring industry, bringing in a compact cabinet all the experience of RCF professional sound. HL 6 features state-of-the art RCF transducers, two powerful 6.0" woofers for a solid bass reproduction, plus a high powered 1.75" voice coil compression driver mounted on a precise 100° x 10° waveguide to deliver vocal clarity with high definition and incredible dynamic. Due to its symmetrical design the HL 6 produces constant coverage without break up or attenuation, maintaining intelligibility, definition, and signal strength over distance. HL 6 comes in a structurally wooden reinforced composite polypropylene enclosure, and it is equipped with two rear handles for portability.



FEATURES

- 250 W RMS power handling
- 131 dB max SPL
- 65 ÷ 20000 Hz frequency range
- 100° x 10° coverage angles
- Fully equipped with neodymium transducers
- Horn Loaded symmetric design
- Wooden reinforced polypropylene enclosure
- Steel grille with clothing
- 2 x SPEAKON connectors

TECHNICAL SPECIFICATIONS

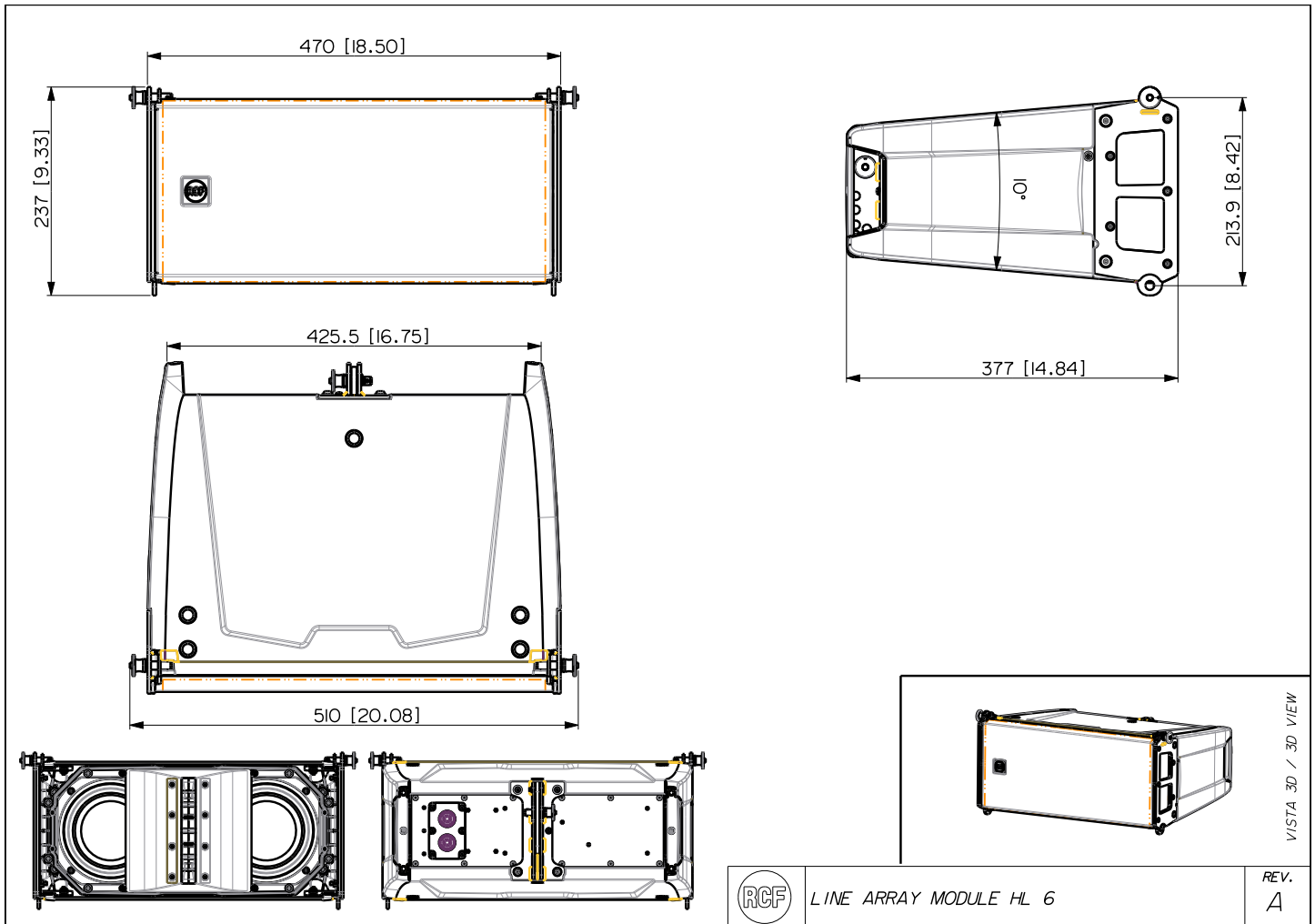
Acoustical specifications	Frequency Response (-10dB):	65 Hz ÷ 20000 Hz
	Max SPL @ 1m:	131 dB
	Horizontal coverage angle:	100°
	Vertical coverage angle:	10°
	Directivity index Q:	16
Power section	Amplification:	Full Range
	Nominal Impedance:	16 ohm
	Power Handling:	250 W
	Peak Power Handling:	1000 W PEAK
	Recommended Amplifier:	500 W
	Protections:	Dynamic Active Mosfet
	Crossover Frequencies:	900 Hz
Transducers	Compression Driver:	1 x 1.0" neo, 1.75" v.c
	Woofers:	2 x 6.0" neo, 2.0" v.c
Input/Output section	Input connectors:	Speakon
	Output connectors:	Speakon
Standard compliance	CE marking:	Yes
Physical specifications	Cabinet/Case Material:	PP Composite
	Hardware:	Integrated array mechanics
	Handles:	2 on the rear panel
	Grille:	Steel
	Color:	Black - RAL 9005
Size	Height:	237 mm / 9.33 inches
	Width:	470 mm / 18.5 inches
	Depth:	377 mm / 14.84 inches
	Weight:	11.8 kg / 26.01 lbs
Shipping informations	Package Height:	260 mm / 10.24 inches
	Package Width:	550 mm / 21.65 inches
	Package Depth:	425 mm / 16.73 inches
	Package Weight:	13.3 kg / 29.32 lbs

PART NUMBER

- **13000726**

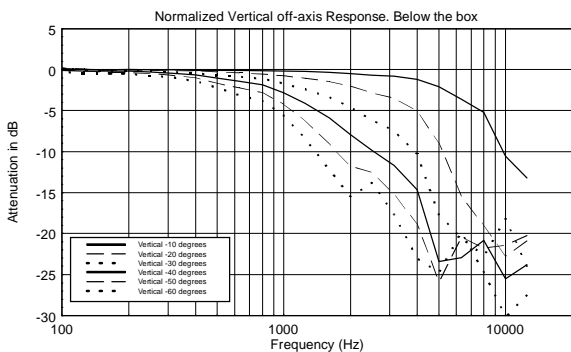
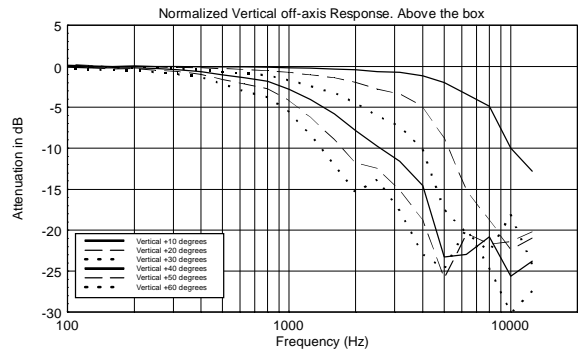
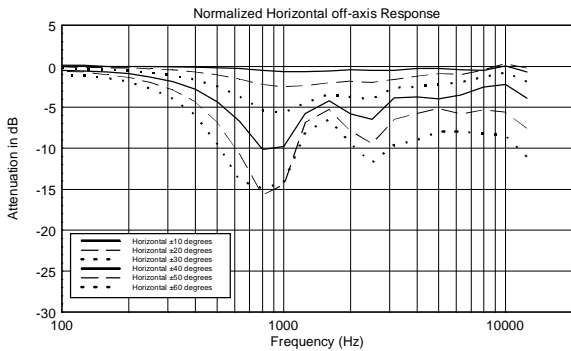
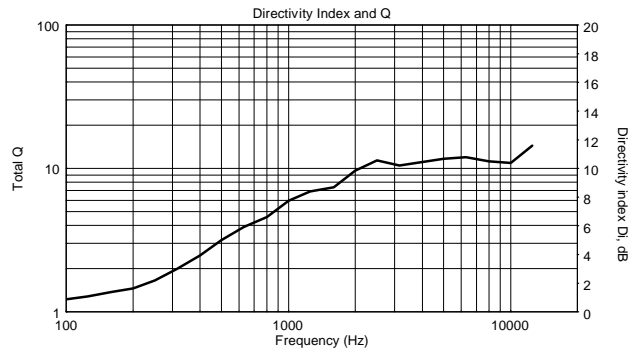
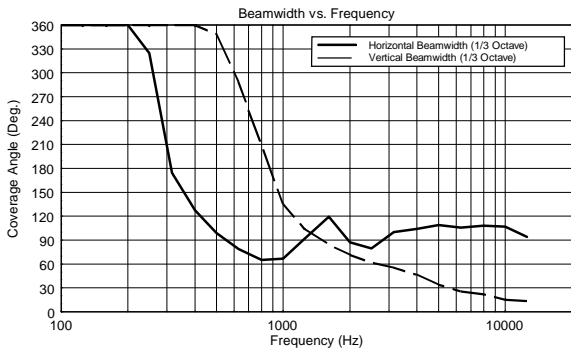
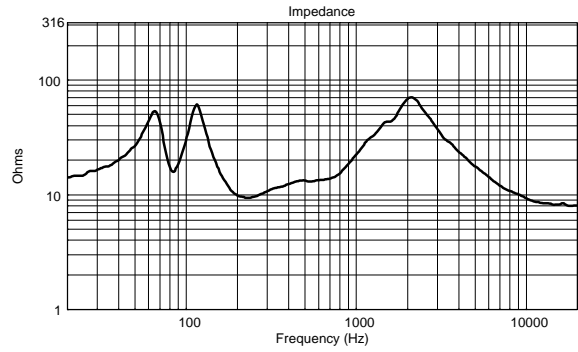
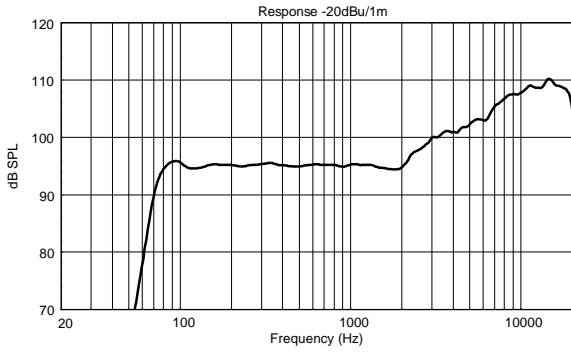
HL 6

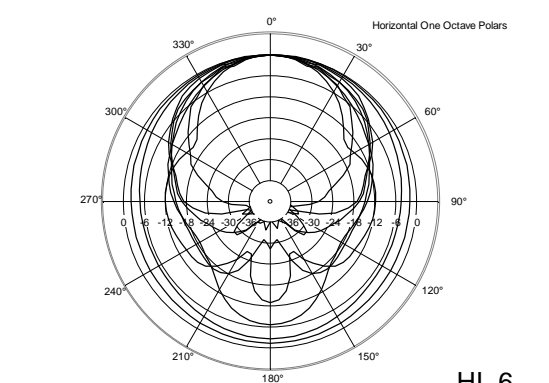
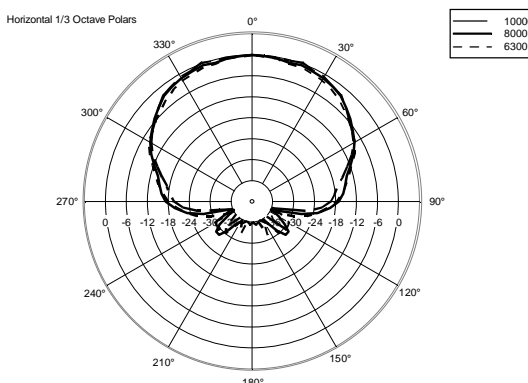
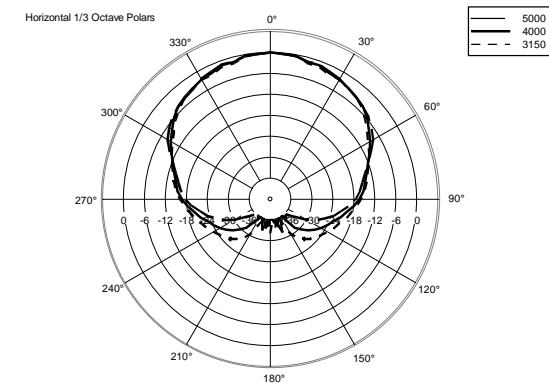
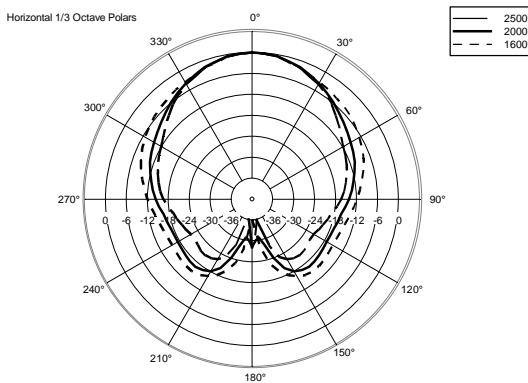
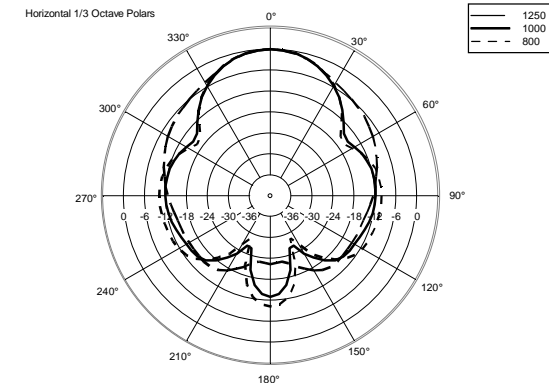
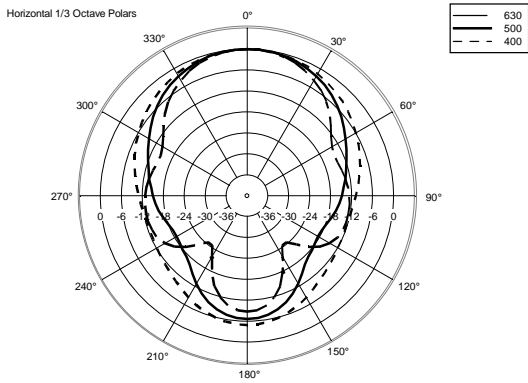
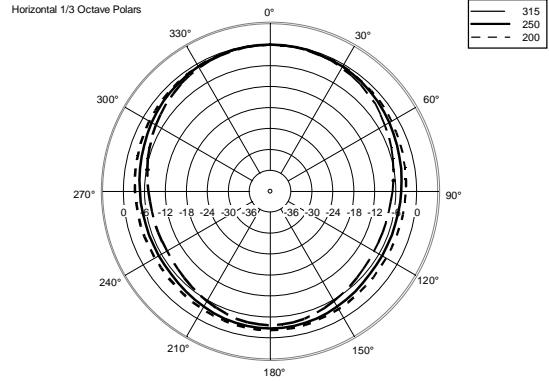
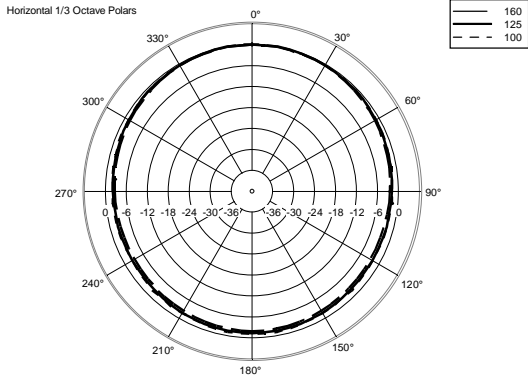
EAN 8024530019068

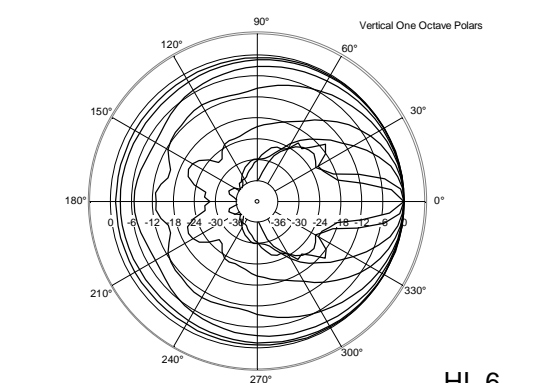
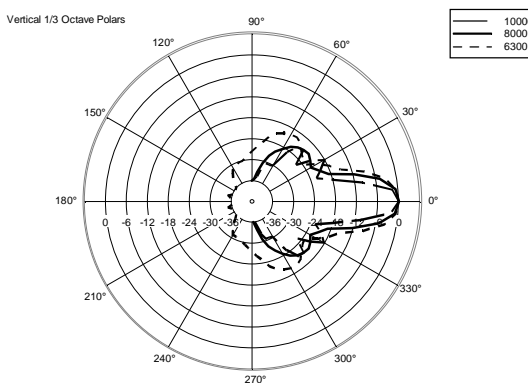
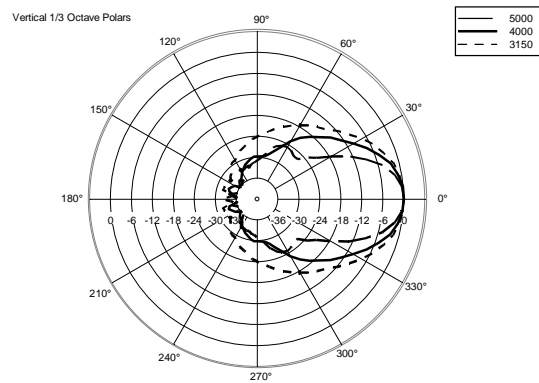
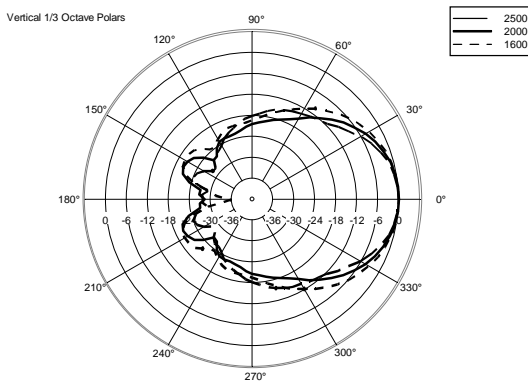
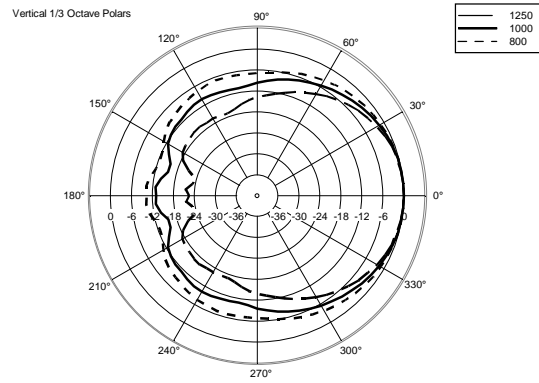
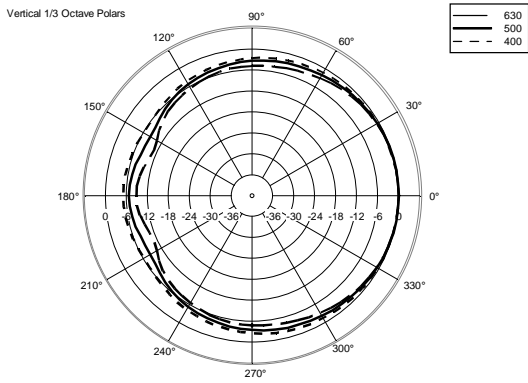
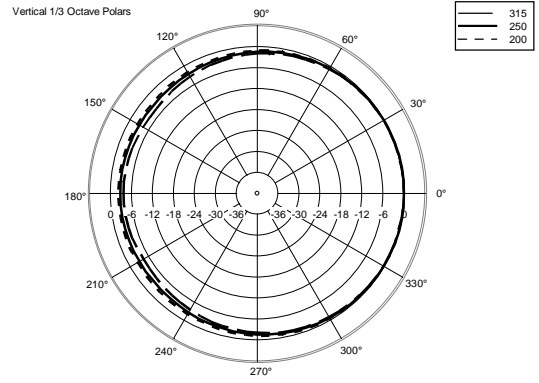
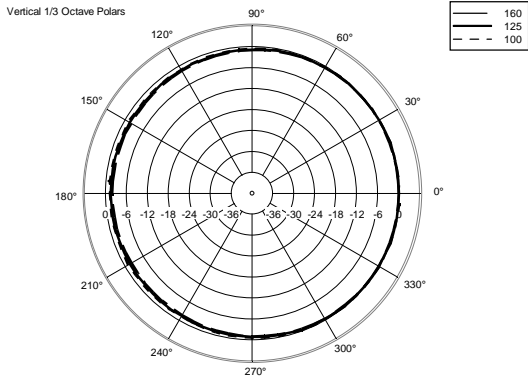


LINE ARRAY MODULE HL 6

REV.
A







ACCESSORIES

AC 2X AZIMUT PLATE

PART NUMBER **13360351**
EAN: 8024530013516



AC TRUSS CLAMP HDL6

PART NUMBER **13360371**
EAN: 8024530014360



FLY BAR FL-B HDL 6

PART NUMBER **13360360**
EAN: 8024530014209



FLY BAR PICKUP FL-B PK HDL 6

PART NUMBER **13360372**
EAN: 8024530014353



KART WITH WHEELS KRT-WH 6X HDL 6

PART NUMBER **13360366**
EAN: 8024530014421



LINK BAR FL-B LINK HDL 6-12 2X

PART NUMBER **13360375**
EAN: 8024530014414



POLE MOUNT 3X HDL 6-A

PART NUMBER **13360377**
EAN: 8024530014629



QUICK LOCK PIN QL-PIN D9.6 L21.3 4X

PART NUMBER **13360219**
EAN: 8024530015763