

C 5212-94

TWO-WAY PASSIVE SPEAKER

DESCRIPTION

The C5212-94 is a full range extremely narrow dispersion two-way loudspeaker system for medium throw applications.

The high-frequency section is a constant directivity horn loaded to a 1.4" compression driver with a 2.5" diaphragm assembly for smooth, wide dispersion. The 90° x 40° horn design offers higher sensitivity for longer distance applications. The low-frequency transducer is a 12" woofer with a 3" voice coil. The crossover is easily bypassed for bi-amp via a recessed changeover switch.



FEATURES

- 90° x 40° CMD (Coverage Matching Design) constant directivity horn
- 1.4" compression driver with 2.5" diaphragm assembly
- 12" woofer with 3" voice coil
- Dual-function design: built in passive crossover or external bi-amp
- Rotatable Horn System for horizontal cabinet mounting applications
- HF driver AMCDP (Active Mosfet Compression Driver Protection)
- LICC (Low Impedance Compensated Crossover) network
- 750 W switching amplifiers

TECHNICAL SPECIFICATIONS

| | | |
|----------------------------------|-----------------------------|--|
| Acoustical specifications | Frequency Response (-10dB): | 54 Hz ÷ 20000 Hz |
| | Max SPL @ 1m: | 132 dB |
| | Horizontal coverage angle: | 90° |
| | Vertical coverage angle: | 40° |
| | Directivity index Q: | 13 |
| | System Sensitivity: | 99 dB |
| Power section | Nominal Impedance: | 8 ohm |
| | Power Handling: | 500 W RMS |
| | Peak Power Handling: | 2000 W PEAK |
| | Recommended Amplifier: | 1000 W |
| | Protections: | Dynamic active mosfet |
| | Crossover Frequencies: | 1200 Hz |
| Transducers | Compression Driver: | 1.4", 2.5" v.c |
| | Nominal Impedance: | 8 ohm |
| | Input Power Rating: | 100 W AES, 200 W PEAK |
| | Sensitivity: | 111 dB, 1W @ 1m |
| | Woofer: | 12", 3.0" v.c |
| | Nominal Impedance: | 8 ohm |
| | Input Power Rating: | 400 W AES, 800 W PEAK |
| Sensitivity: | 98 dB, 1W @ 1m | |
| Input/Output section | Input connectors: | Speakon® NL4 |
| | Output connectors: | Speakon® NL4 |
| Standard compliance | CE marking: | Yes |
| Physical specifications | Cabinet/Case Material: | Baltic birch plywood |
| | Hardware: | 14 x M10, multiplates (top and bottom) |
| | Pole mount/Cap: | Yes |
| | Grille: | Steel with robust double mesh polyester clothing |
| Size | Height: | 630 mm / 24.8 inches |
| | Width: | 360 mm / 14.17 inches |
| | Depth: | 390 mm / 15.35 inches |
| | Weight: | 29 kg / 63.93 lbs |
| Shipping informations | Package Height: | 714 mm / 28.11 inches |
| | Package Width: | 514 mm / 20.24 inches |
| | Package Depth: | 464 mm / 18.27 inches |
| | Package Weight: | 33 kg / 72.75 lbs |



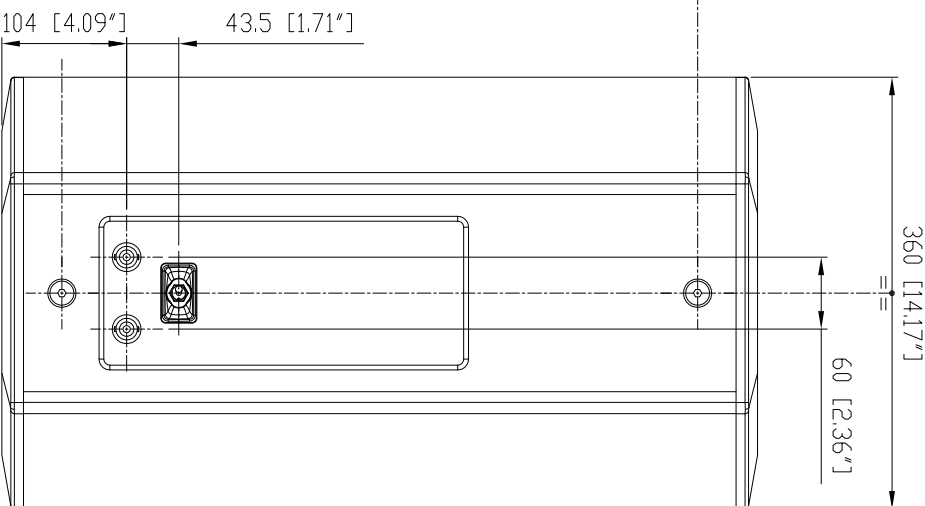
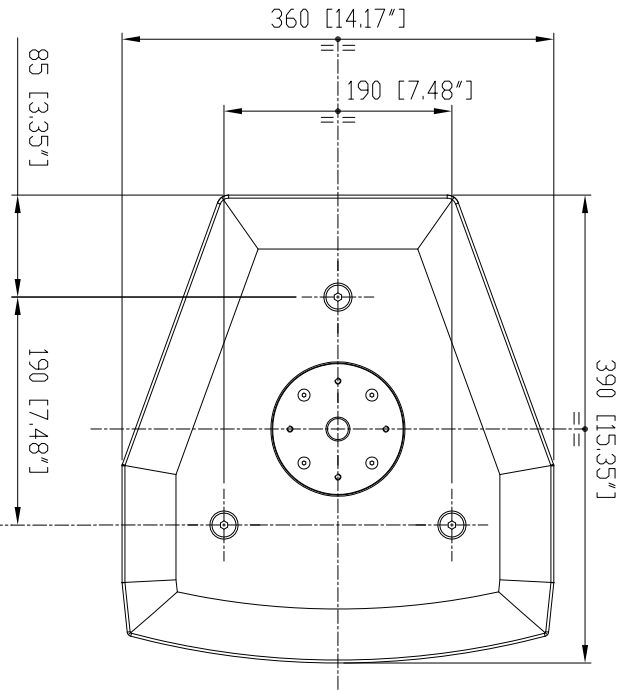
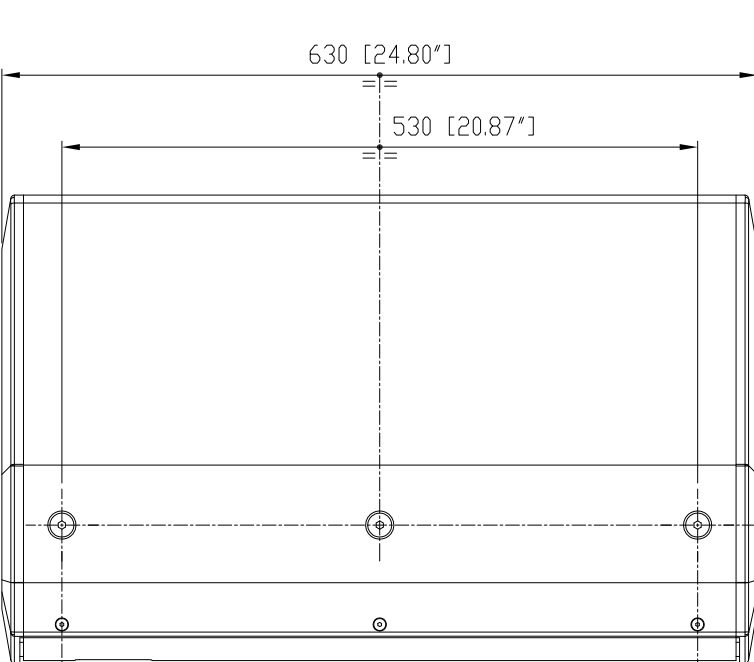
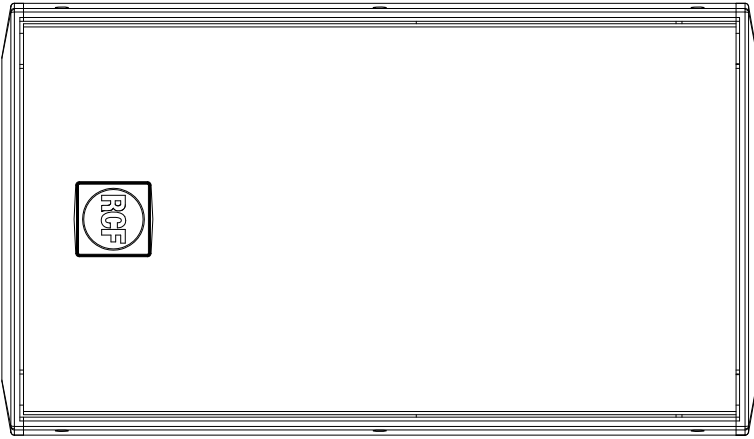
PART NUMBER

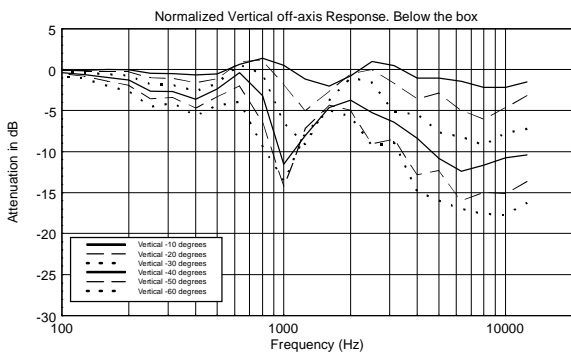
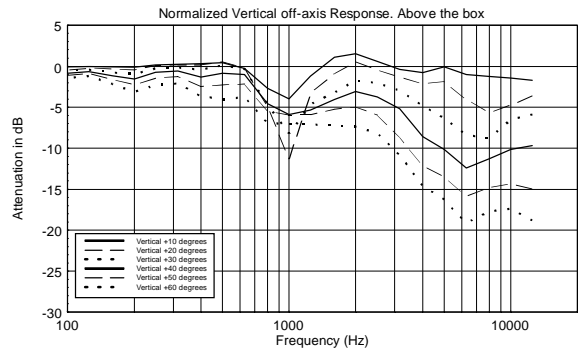
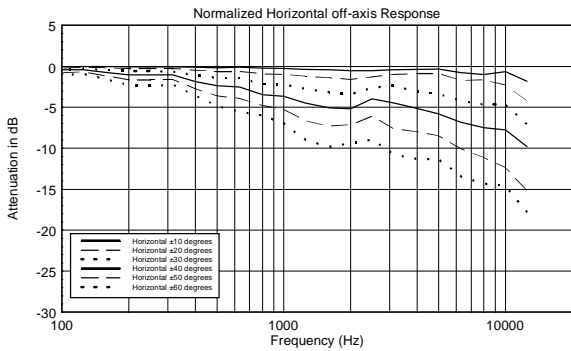
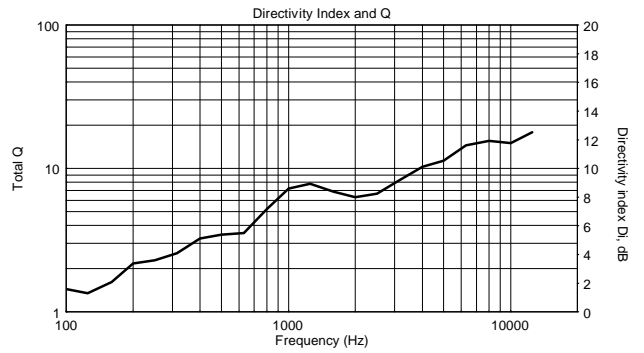
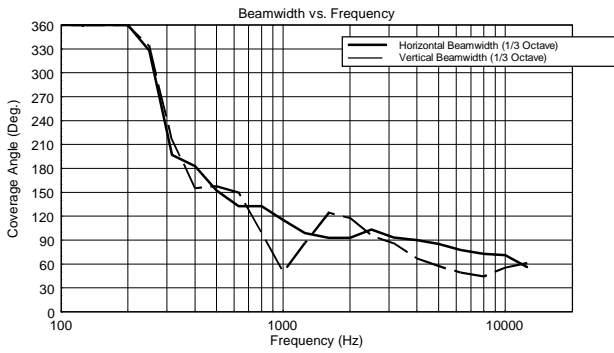
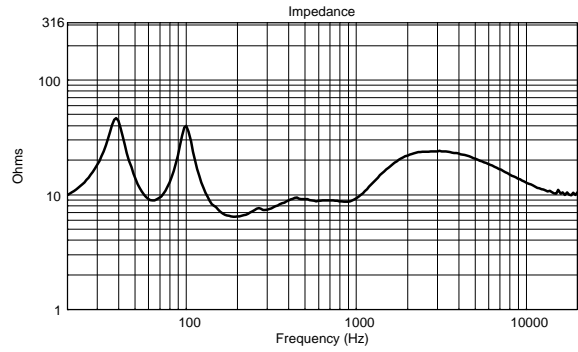
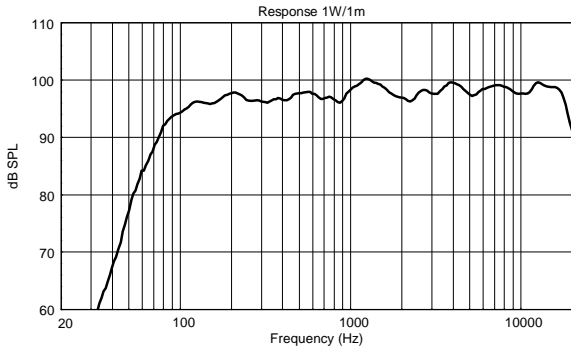
- **13000304**

C 5212-94

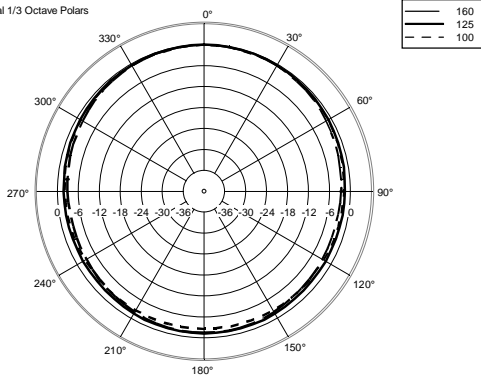
EAN 8024530009229

C5212 NEW

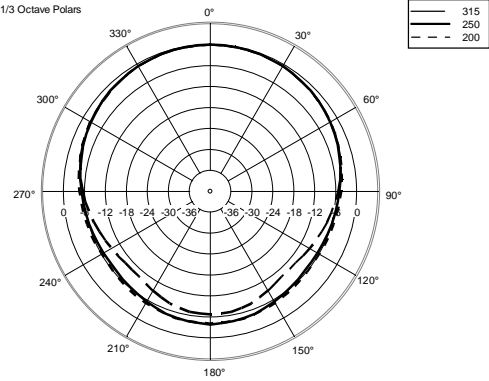




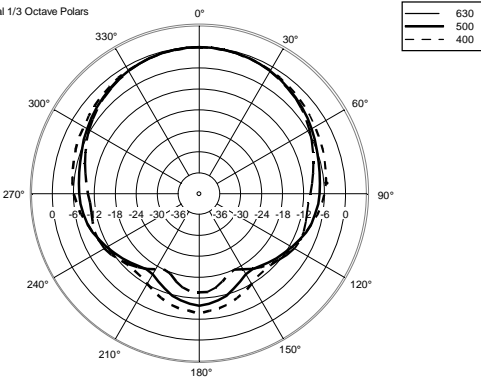
Horizontal 1/3 Octave Polars



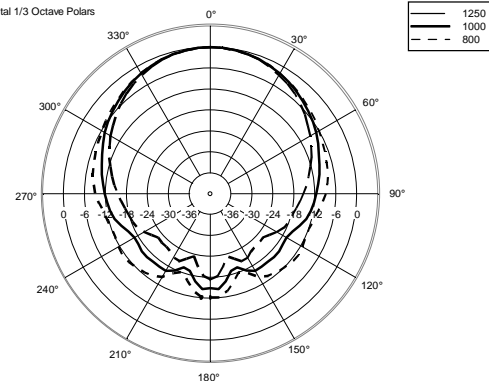
Horizontal 1/3 Octave Polars



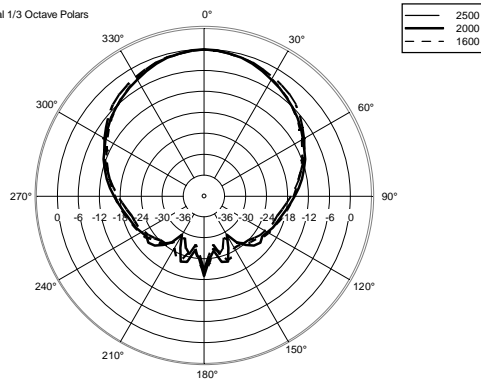
Horizontal 1/3 Octave Polars



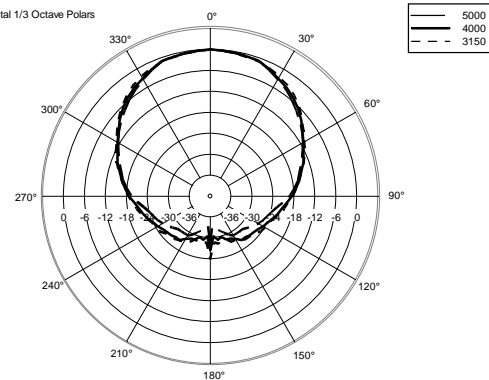
Horizontal 1/3 Octave Polars



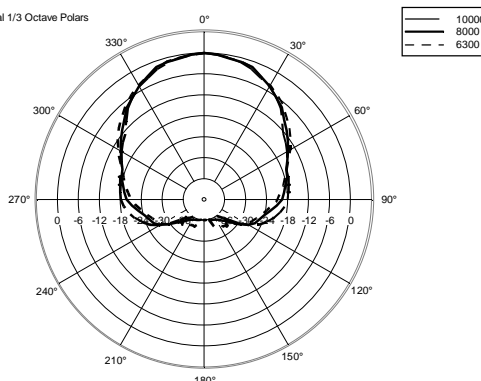
Horizontal 1/3 Octave Polars



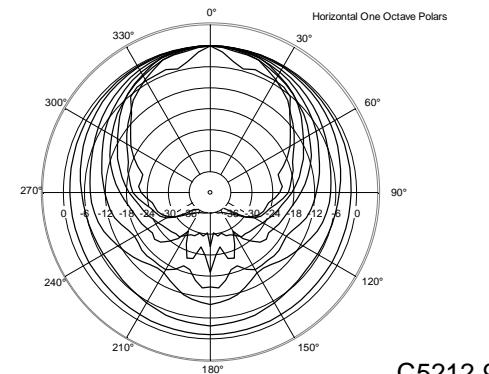
Horizontal 1/3 Octave Polars

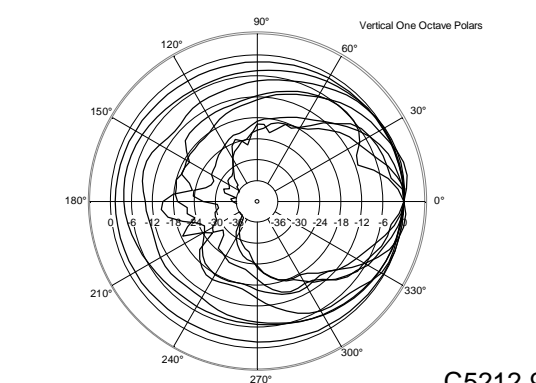
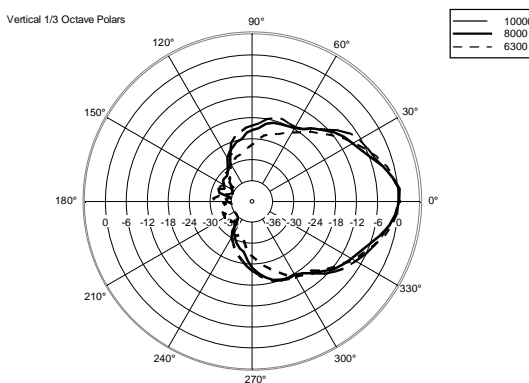
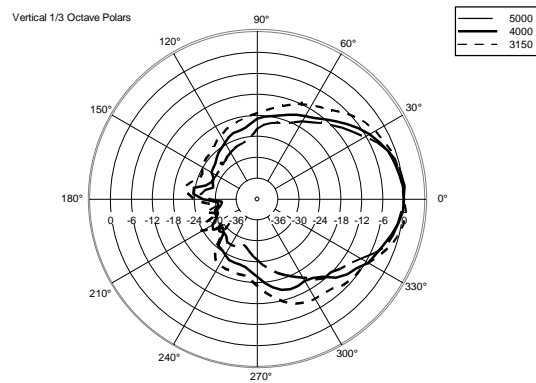
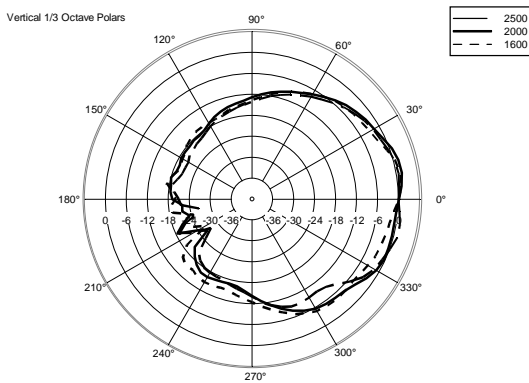
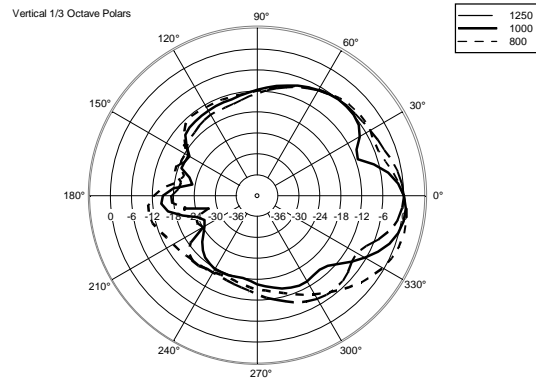
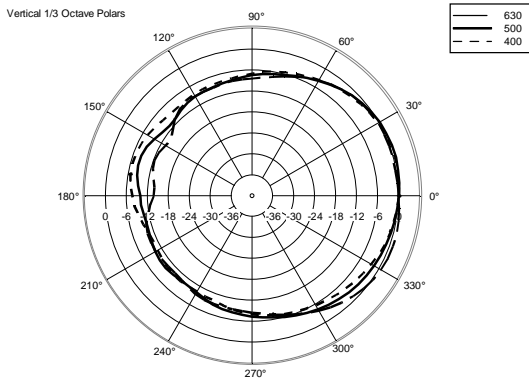
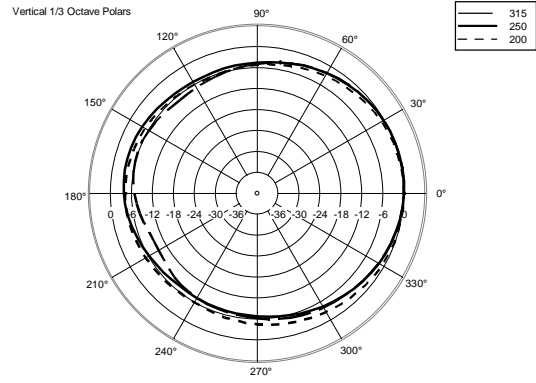
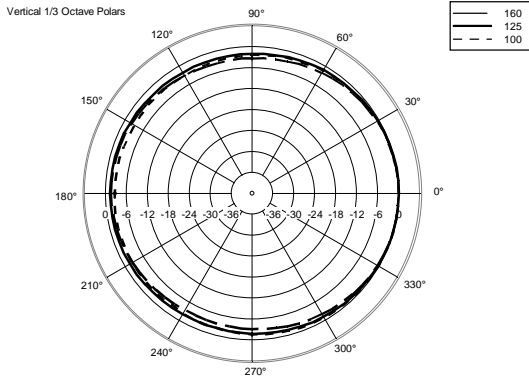


Horizontal 1/3 Octave Polars



Horizontal One Octave Polars





ACCESSORIES

FLYING BRACKET FL-BR NC 12-15

PART NUMBER **13360201**
EAN: 8024530007478

HORIZONTAL BRACKET H-BR 2X NC12

PART NUMBER **13360192**
EAN: 8024530007393

VERTICAL BRACKET V-BR 2X NC12

PART NUMBER **13360197**
EAN: 8024530007447