

CMR 60T

TWO-WAY CEILING MONITOR SPEAKER

DESCRIPTION

CMR 60T is a multipurpose two-way in-ceiling speaker, suitable for a wide range of applications. Thanks to its elegant and discreet design and accurate details, CMR 60T pairs any building's aesthetic.

The high-quality transducers, aligned in a coaxial configuration, guarantees a precise music reproduction of the entire frequency band and provides impressive sound pressure levels for such a compact enclosure.

Installation is easy with three long travel clamps.

The magnetic grille allows immediate access to the power selector on the front shell: the line transformer provides 80W full power on 70V and 100V constant voltage lines, and five different power levels.



FEATURES

- 80W RMS power handling
- 114 dB max SPL
- 70 ÷ 20000 Hz frequency range
- 130° constant directivity conical coverage angle
- 6.5" high power woofer
- 1" neodymium dome tweeter
- Self extinguishing plastic body and metal backcan
- Steel magnetic front grille
- 4 pole EUROBLOCK connector (audio input and parallel link output)
- 5 different power levels selectable

TECHNICAL SPECIFICATIONS

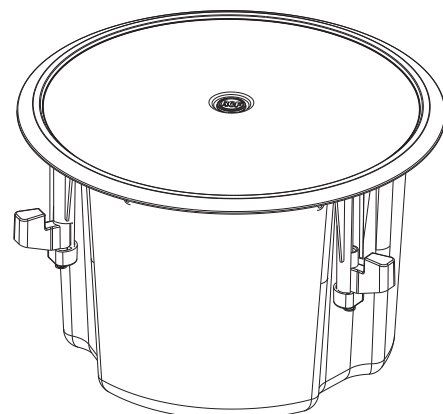
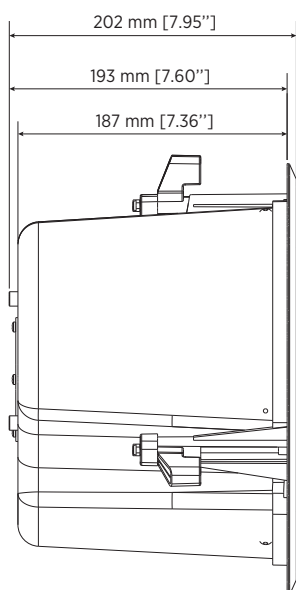
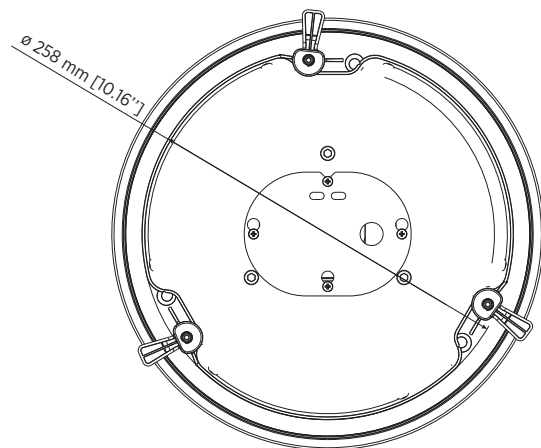
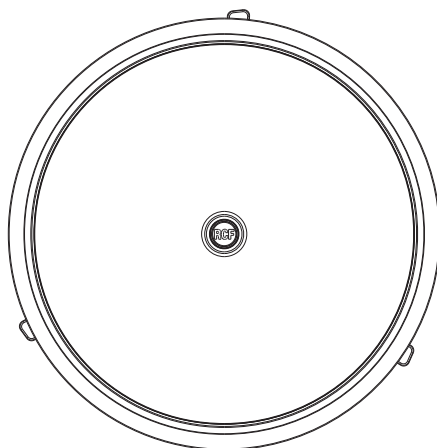
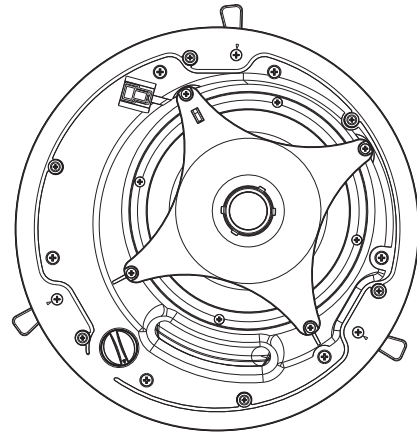
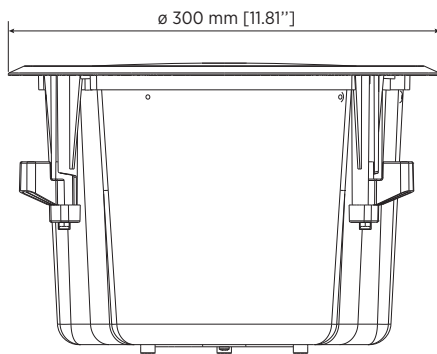
Acoustical specifications	Frequency Response (-10dB):	70 Hz ÷ 20000 Hz
	Max SPL @ 1m:	114 dB
	Coverage angle:	130°
	System Sensitivity:	89 dB
Power section	Nominal Impedance:	8 ohm
	Power Handling:	80 W RMS
	Peak Power Handling:	320 W PEAK
	Recommended Amplifier:	160 W
	Crossover Frequencies:	2500
Transducers	Dome Tweeter:	1.0" neo, 1.0" v.c
	Woofers:	6.5", 1.2" v.c
Input/Output section	Input connectors:	Euroblock
	Output connectors:	Euroblock
	Constant Voltage Transformer:	70/100 V
	Power selection 1:	80 W - 125 ohm
	Power selection 2:	40 W - 250 ohm
	Power selection 3:	20 W - 500 ohm
	Power selection 4:	10 W - 1000 ohm
Power selection 5:	5 W - 2000 ohm	
Standard compliance	CE marking:	Yes
Physical specifications	Cabinet/Case Material:	ABS
	Hardware:	Steel backcan
	Grille:	Steel
	Color:	White - RAL 9003
Size	Depth:	202 mm / 7.95 inches
	Recessed Depth:	193 mm / 7.6 inches
	Diameter:	300 mm / 11.81 inches
	Cut out diameter:	260 mm / 10.24 inches
	Weight:	4.5 kg / 9.92 lbs
Shipping informations	Package Height:	280 mm / 11.02 inches
	Package Width:	362 mm / 14.25 inches
	Package Depth:	362 mm / 14.25 inches
	Package Weight:	6 kg / 13.23 lbs

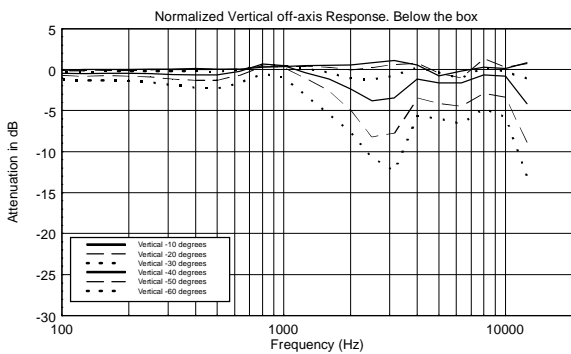
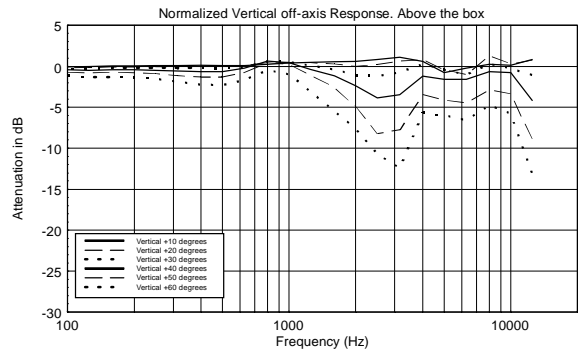
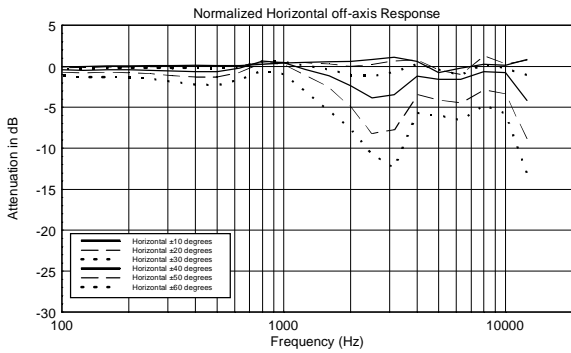
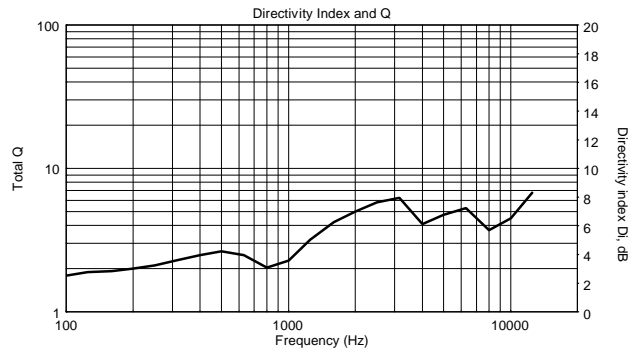
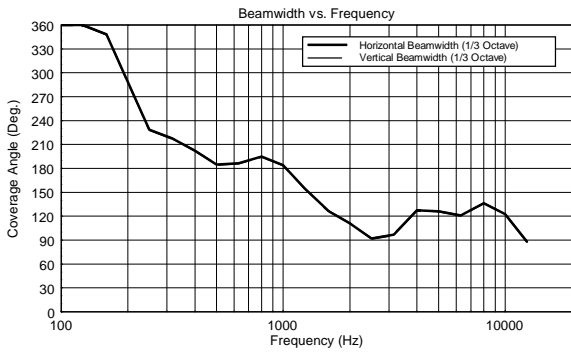
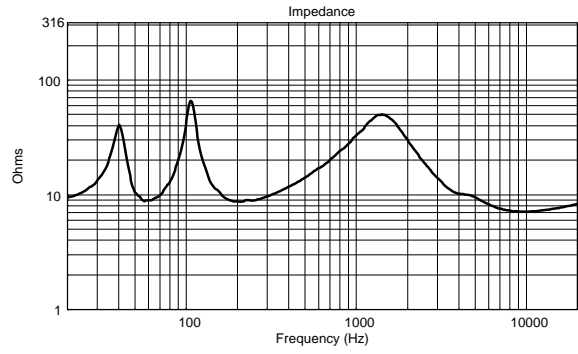
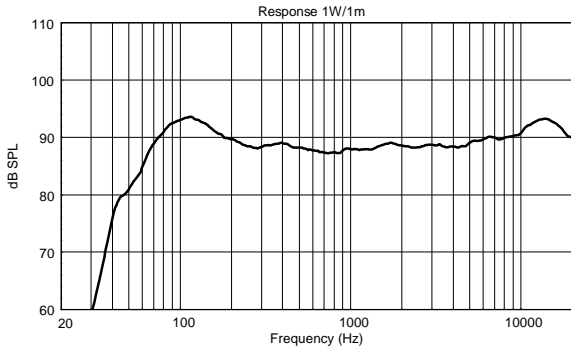


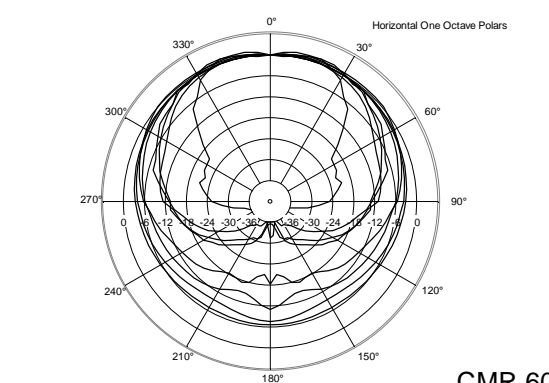
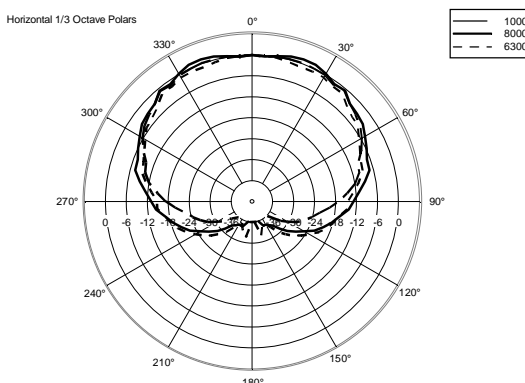
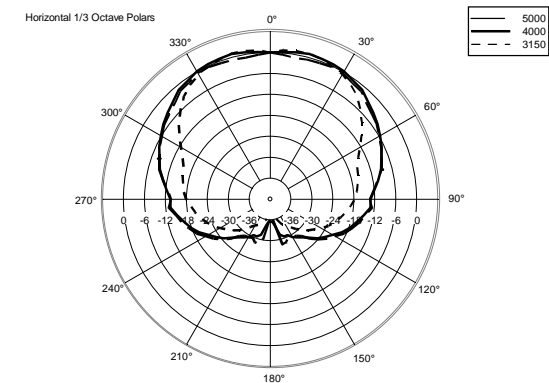
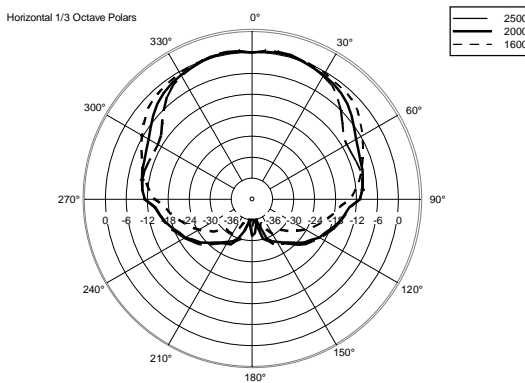
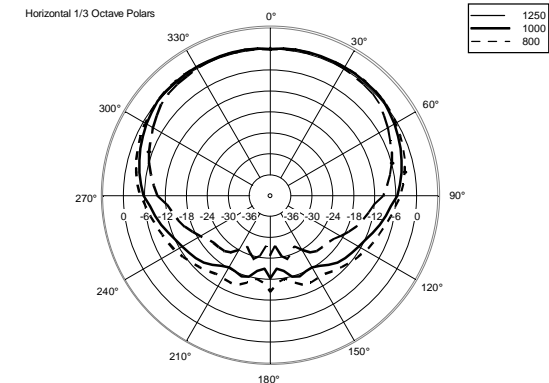
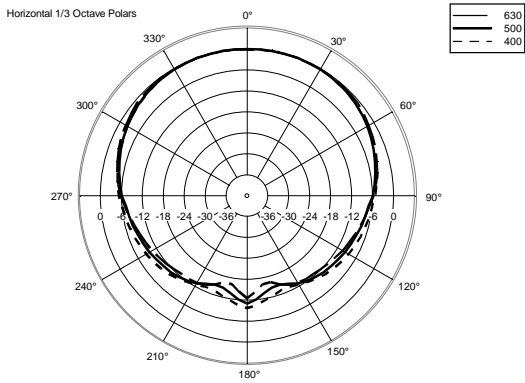
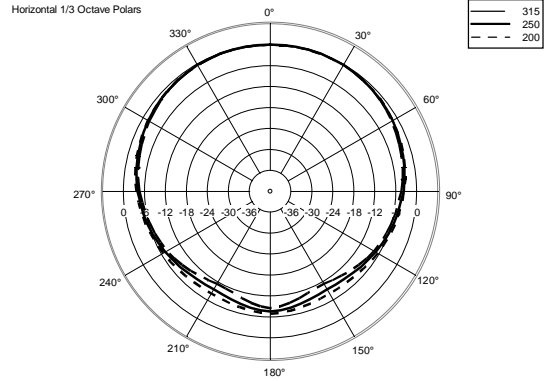
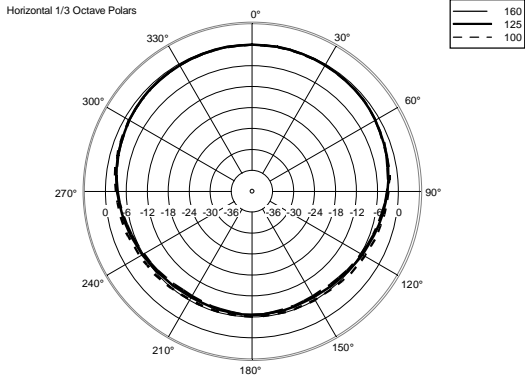
PART NUMBER

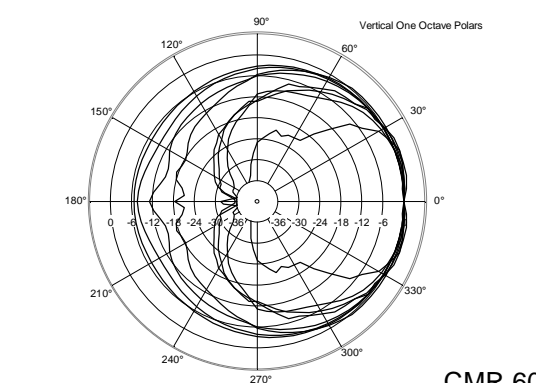
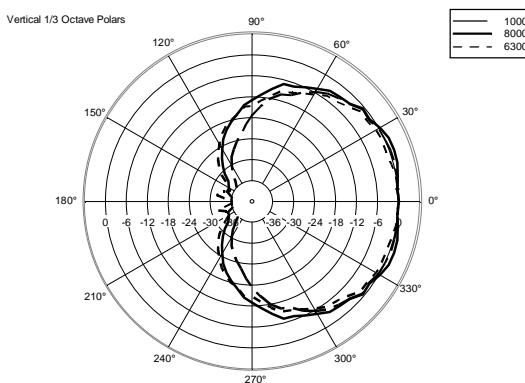
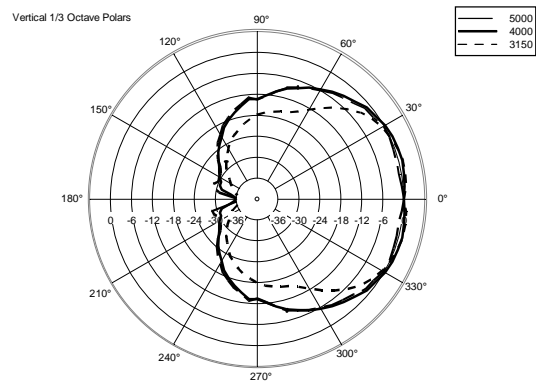
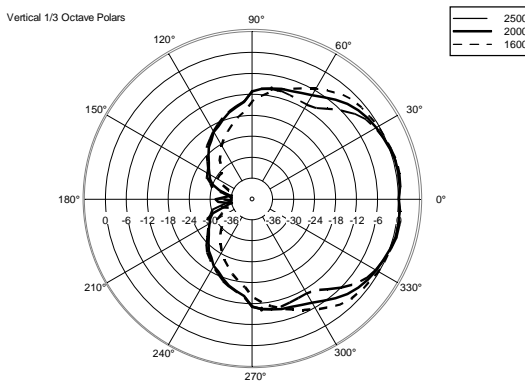
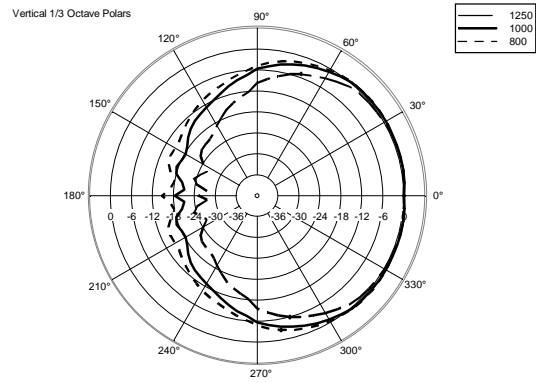
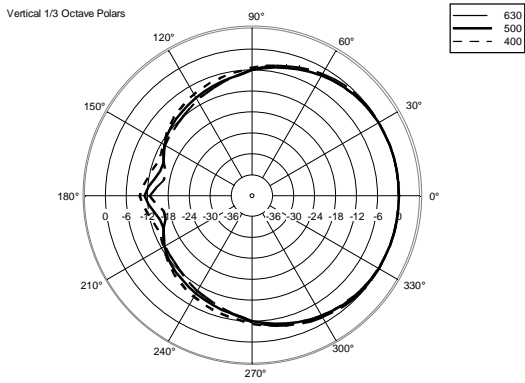
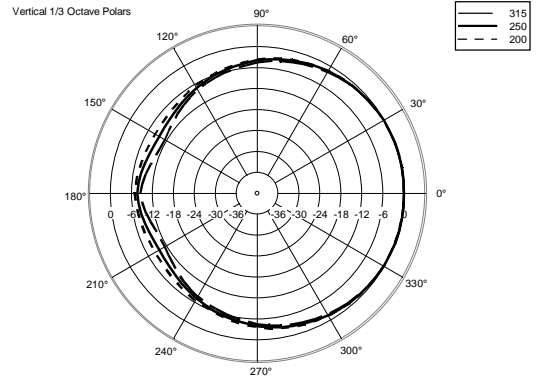
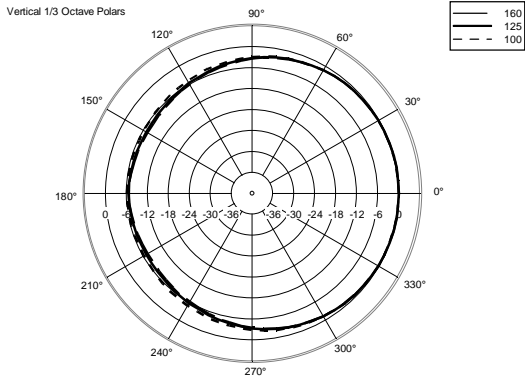
- **13100045**
CMR 60T W
White - RAL 9003
EAN 8024530017446

DRAWINGS









ACCESSORIES

BLACK GRILLE KIT 4X CMR SPEAKERS

PART NUMBER **13360492**
EAN: 8024530019402

MUD RING 4X CMR SPEAKERS

PART NUMBER **13360490**
EAN: 8024530019396

TILE BRIDGE 4X CMR SPEAKERS

PART NUMBER **13360489**
EAN: 8024530019389



A&E SPECIFICATIONS

The product shall be a two-way flush-mounting speaker with backcan suitable for a wide range of applications.

The high quality of its transducers (arranged in a coaxial configuration) guarantees faithful and precise musical reproduction throughout the entire audio spectrum and allows to reach truly remarkable sound pressure levels for such a compact product.

Its design shall be elegant and compact with accurate finishing, suitable for almost any environment, even with architectural constraints.

It shall be equipped with a 6.5" woofer and a neodymium 1" dome tweeter and include an internal transformer that allows the connection to 70 / 100 V constant voltage lines.

The connection shall be simple and safe thanks to removable screw terminals.

The front grille shall be fixed by magnets and easily removed to access the power rotary switch.